



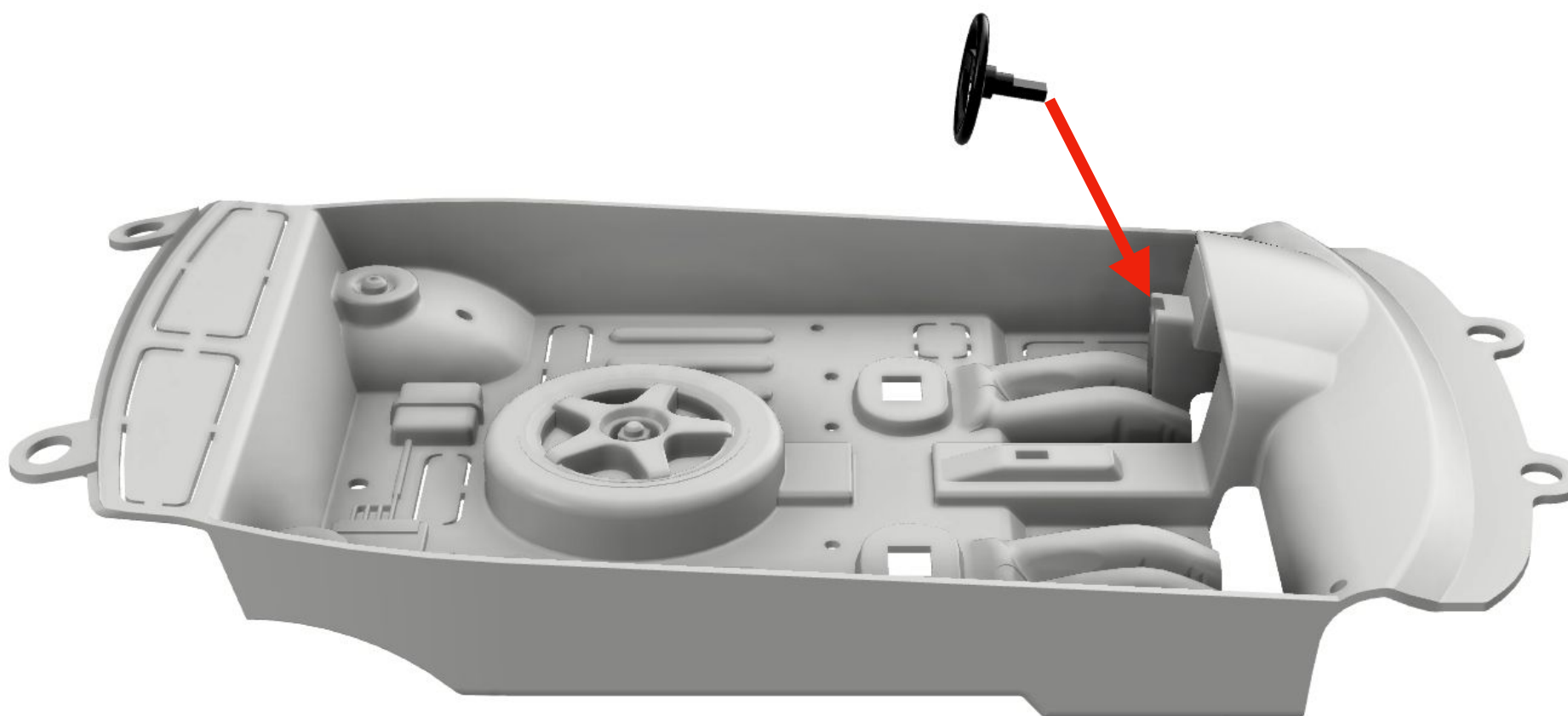
MITSUBISHI LANCER EVOLUTION VI





MITSUBISHI LANCER EVOLUTION VI

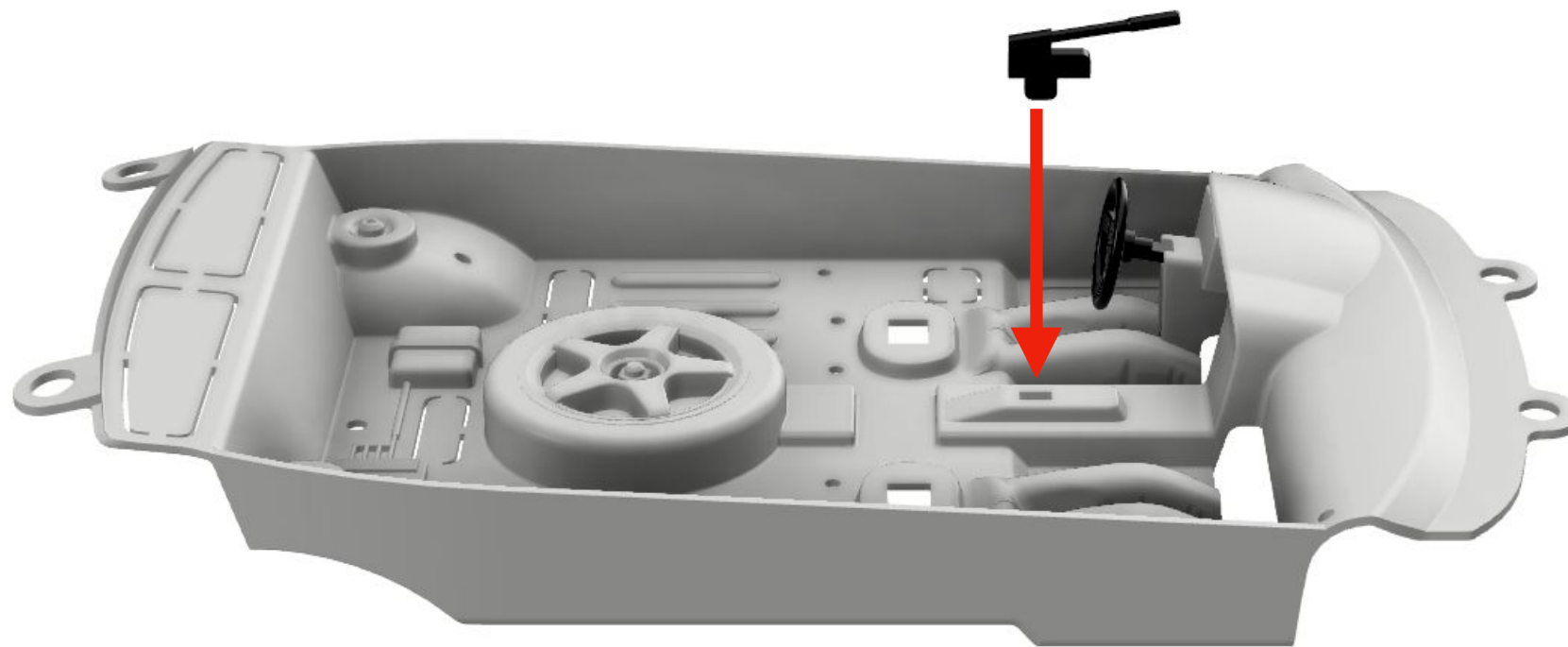
COCKPIT ASSEMBLY





MITSUBISHI LANCER EVOLUTION VI

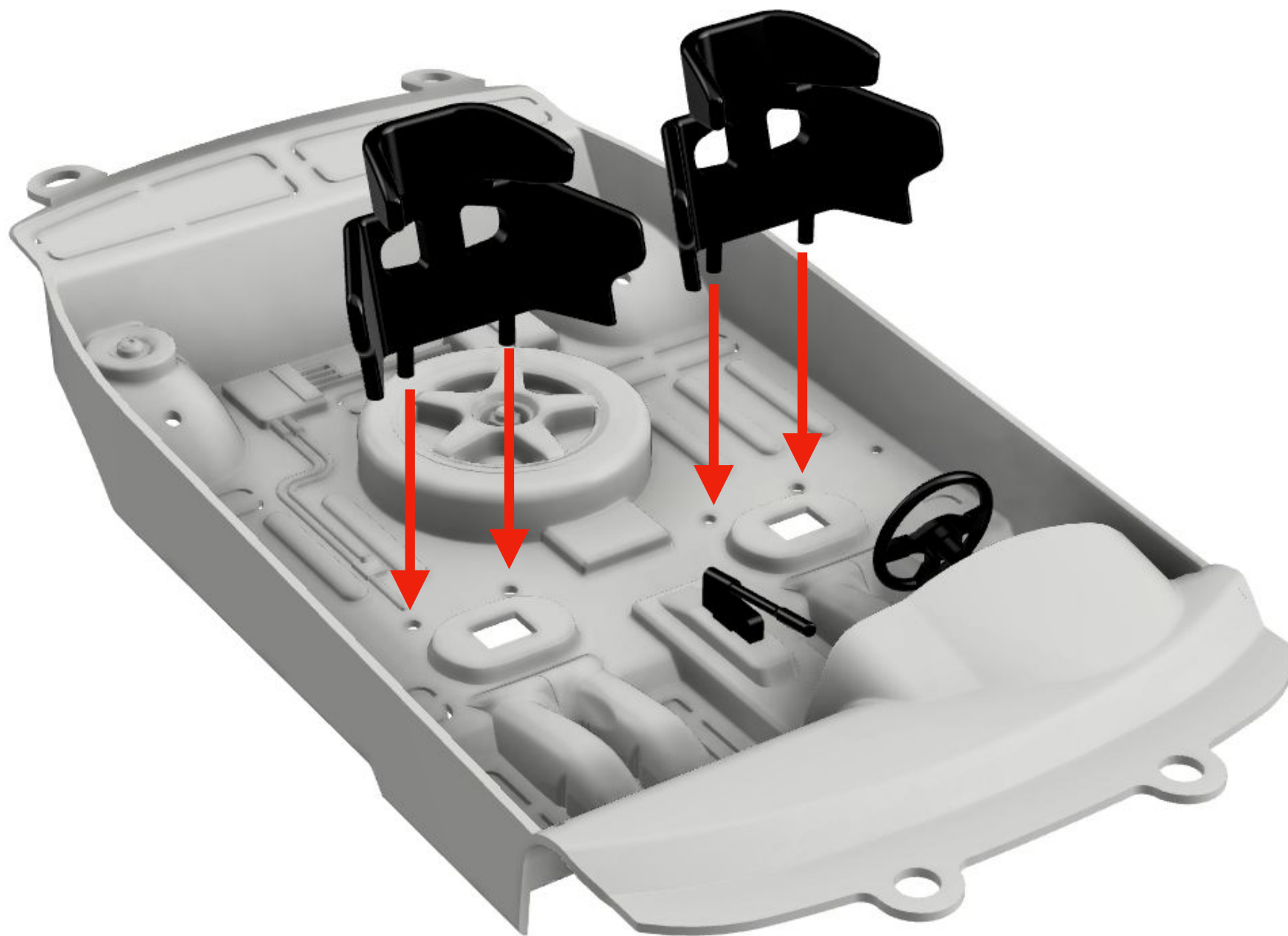
COCKPIT ASSEMBLY





MITSUBISHI LANCER EVOLUTION VI

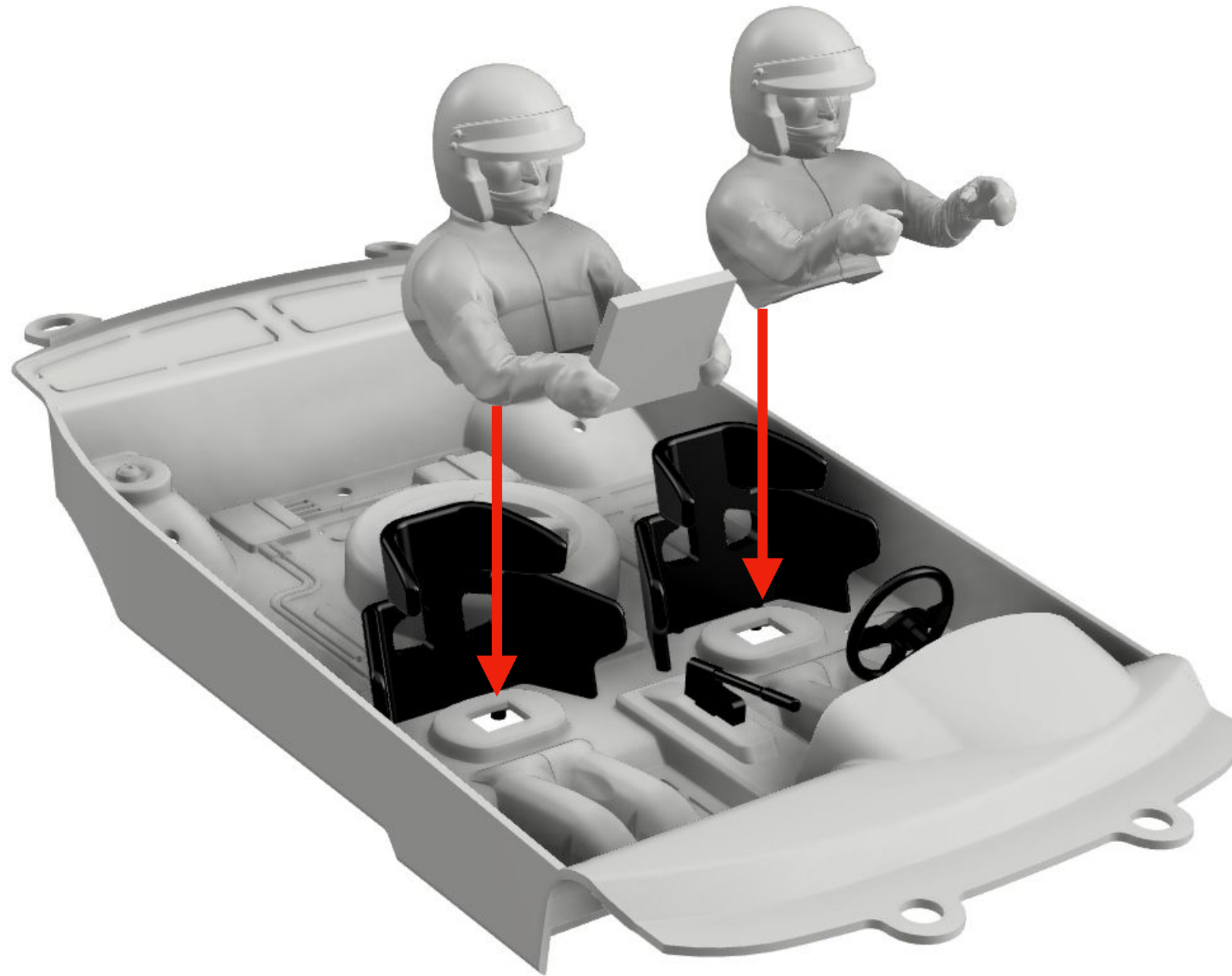
COCKPIT ASSEMBLY





MITSUBISHI LANCER EVOLUTION VI

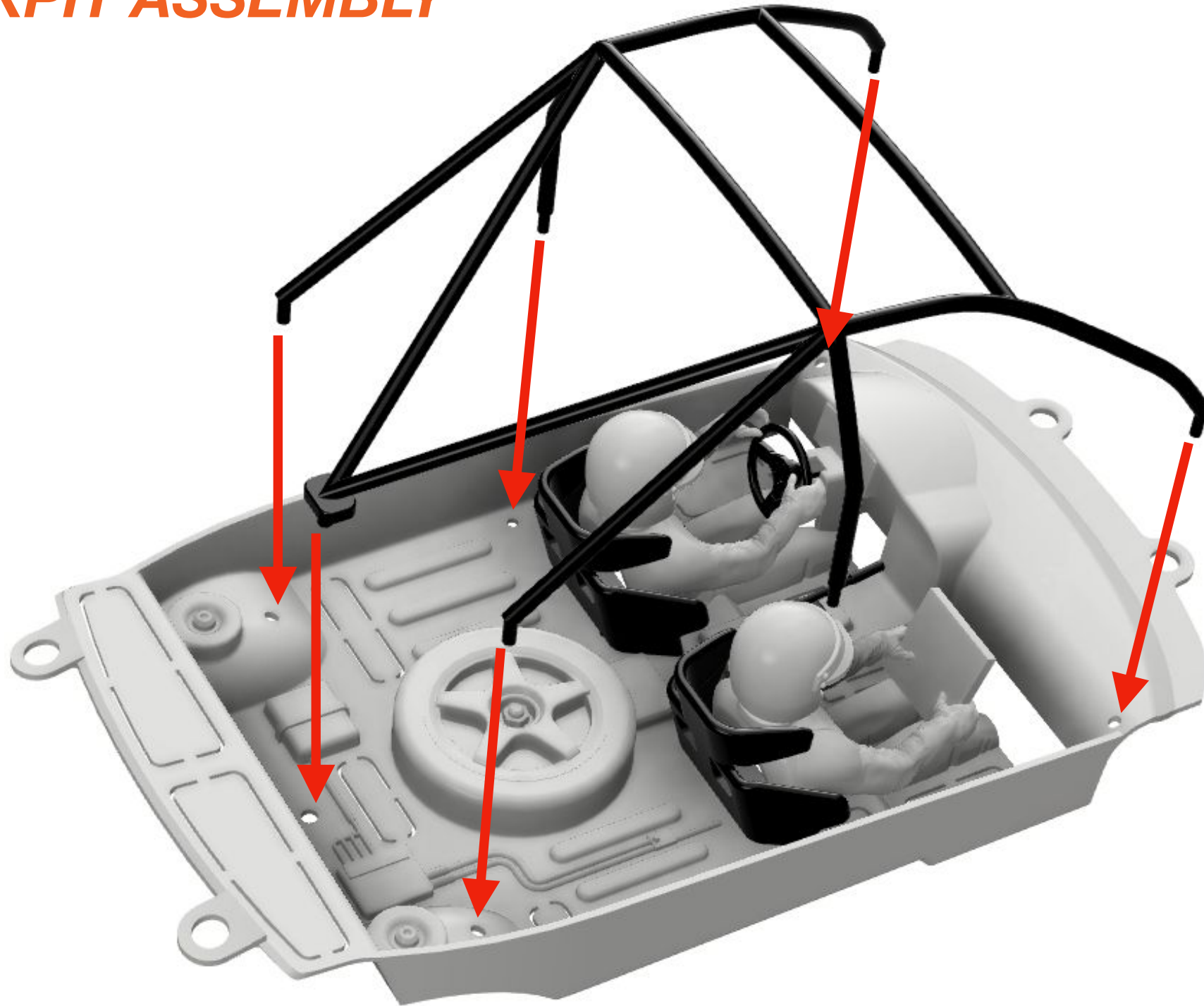
COCKPIT ASSEMBLY





MITSUBISHI LANCER EVOLUTION VI

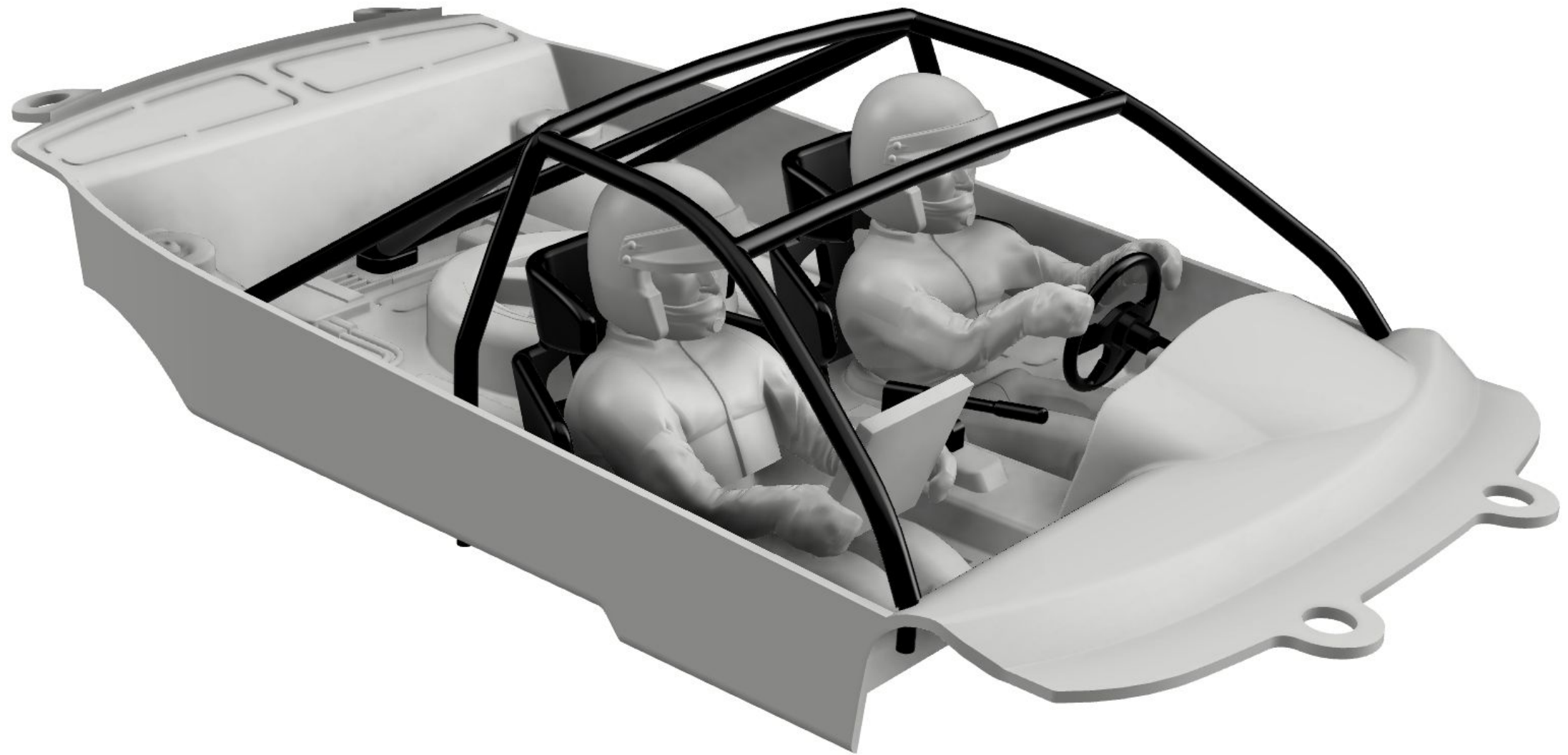
COCKPIT ASSEMBLY





MITSUBISHI LANCER EVOLUTION VI

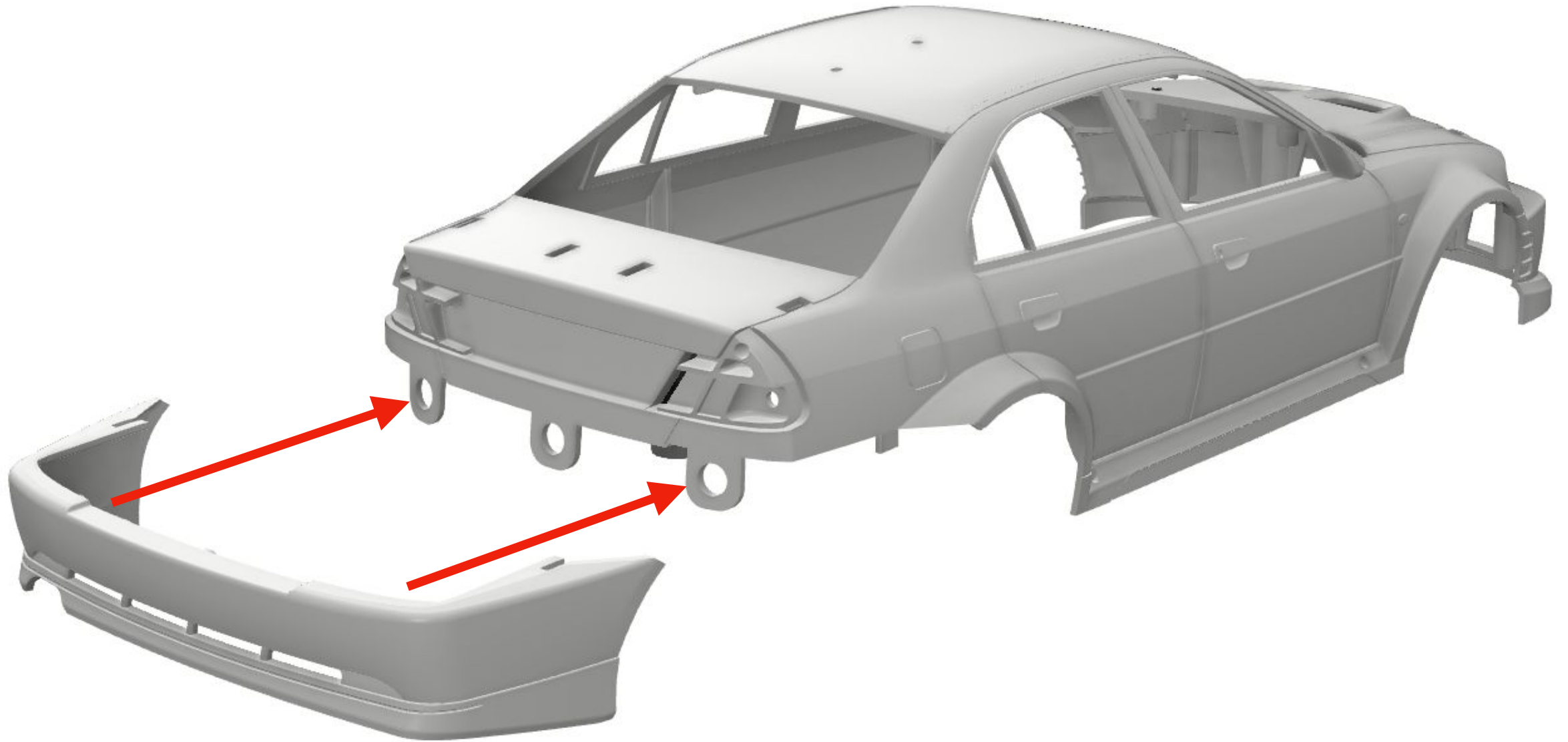
COCKPIT ASSEMBLY





MITSUBISHI LANCER EVOLUTION VI

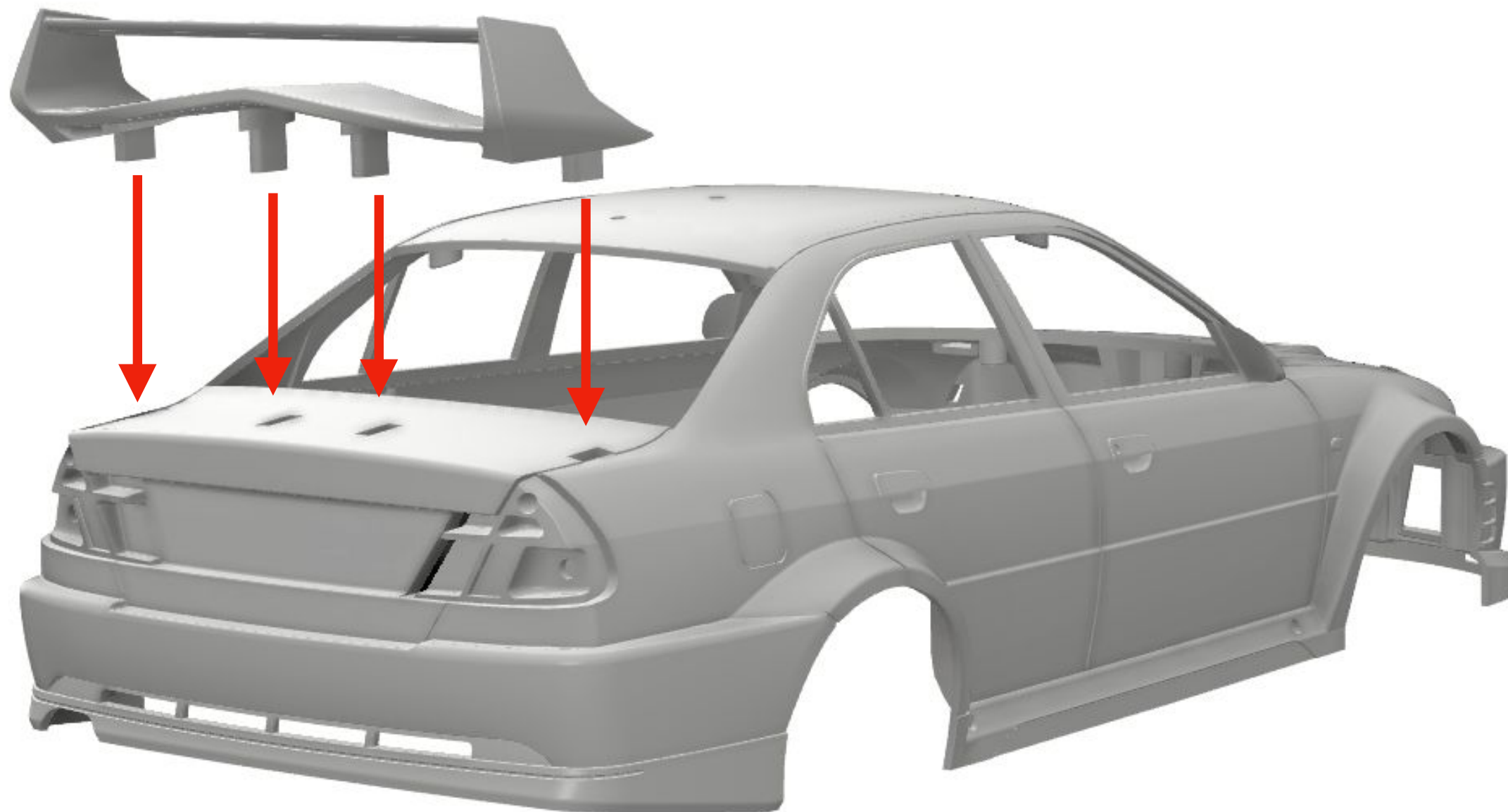
BODY ASSEMBLY





MITSUBISHI LANCER EVOLUTION VI

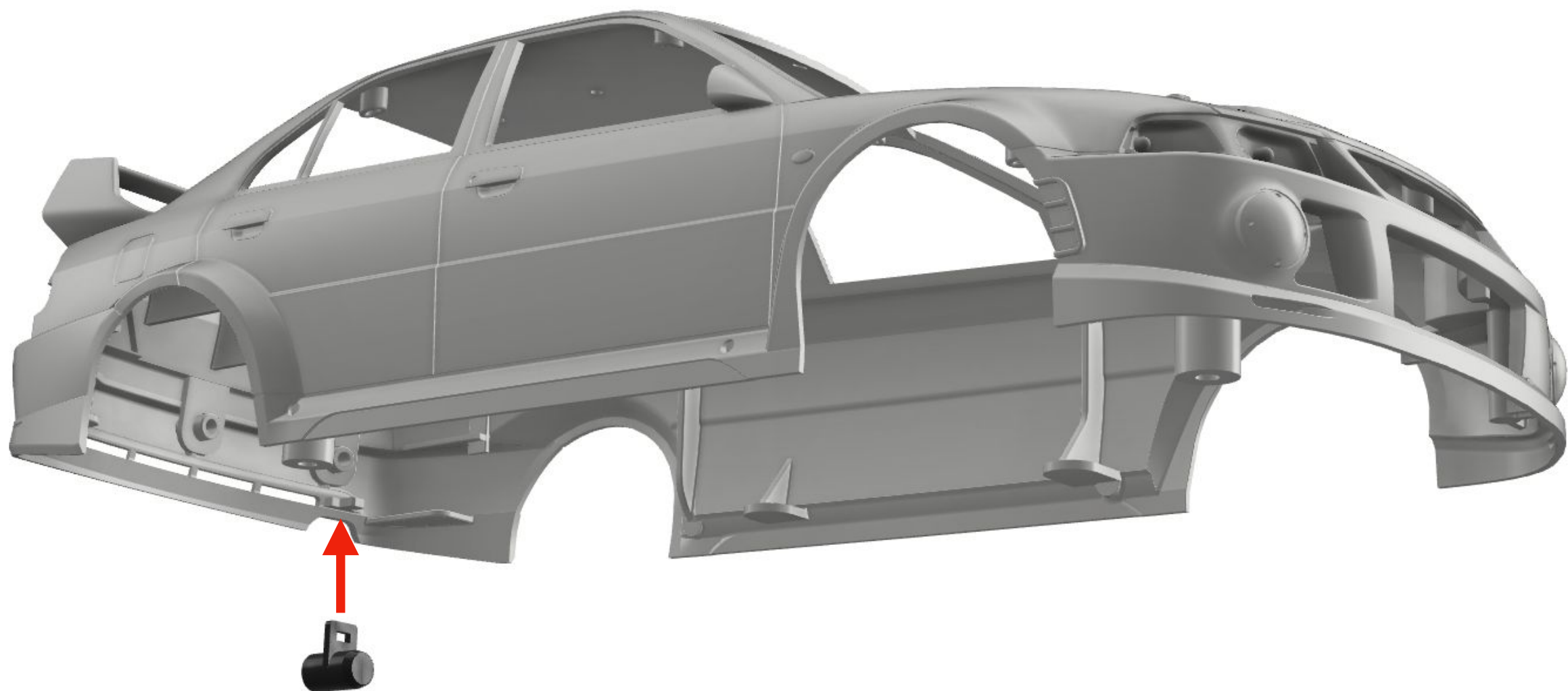
BODY ASSEMBLY





MITSUBISHI LANCER EVOLUTION VI

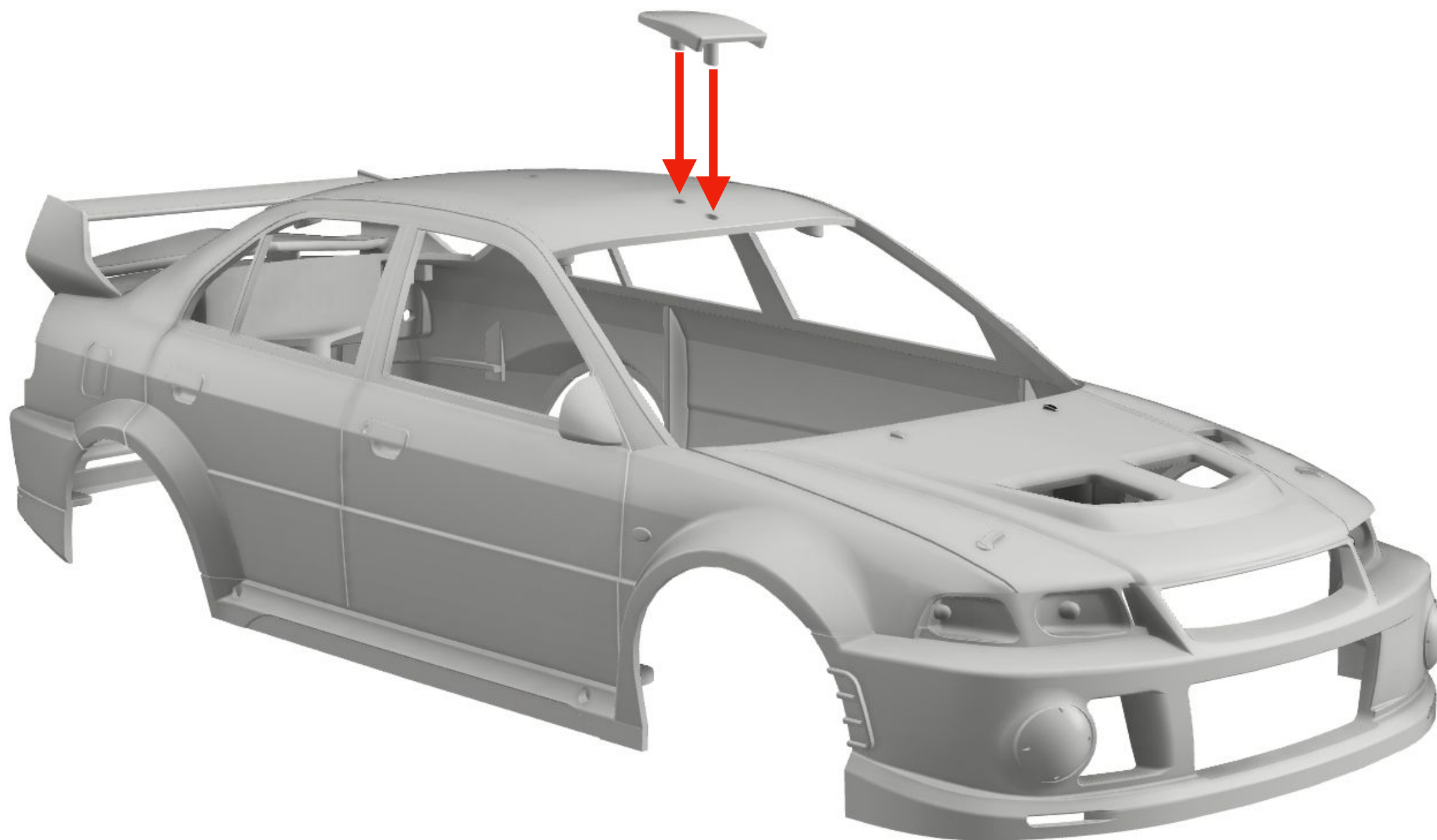
BODY ASSEMBLY





MITSUBISHI LANCER EVOLUTION VI

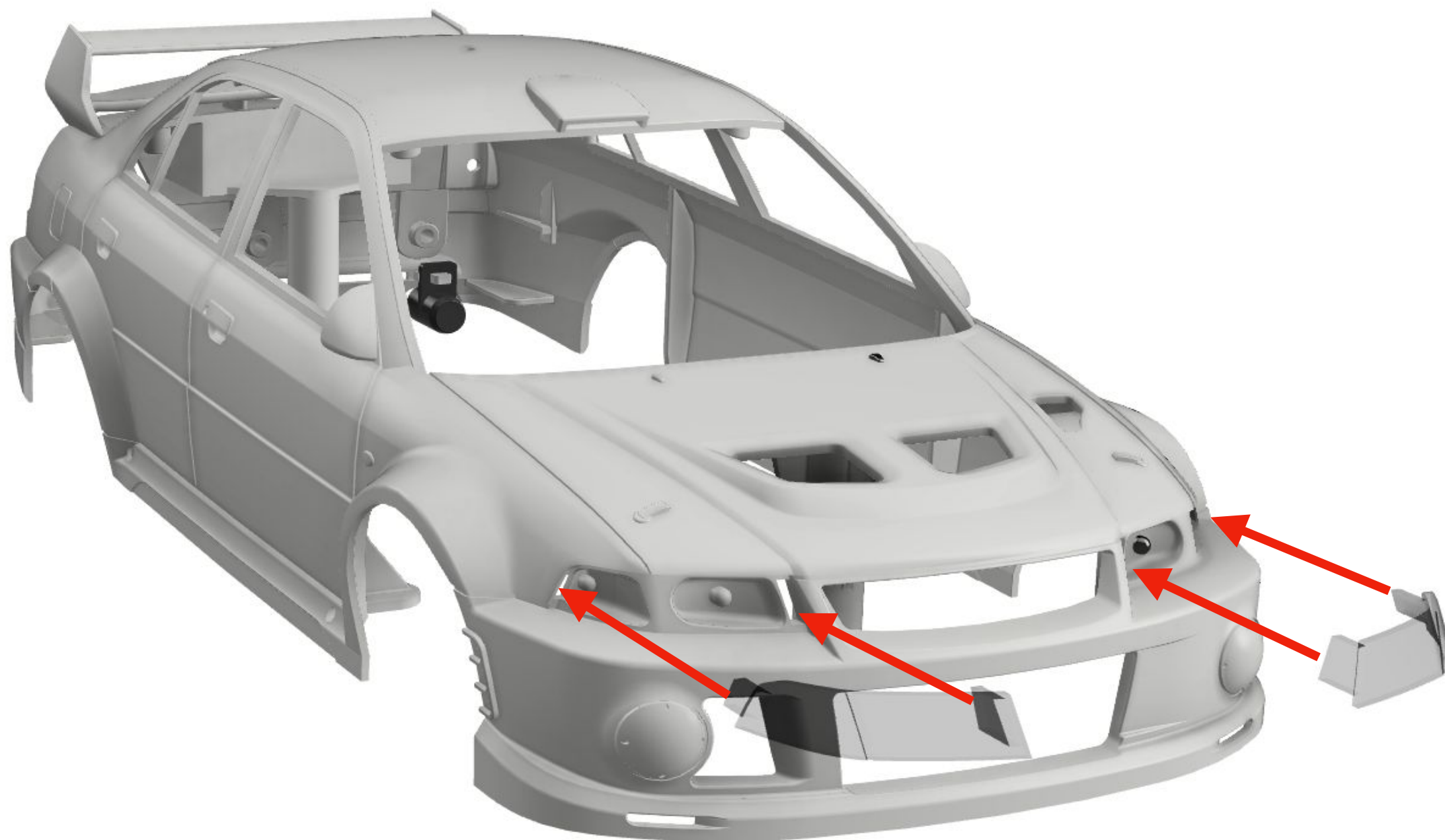
BODY ASSEMBLY





MITSUBISHI LANCER EVOLUTION VI

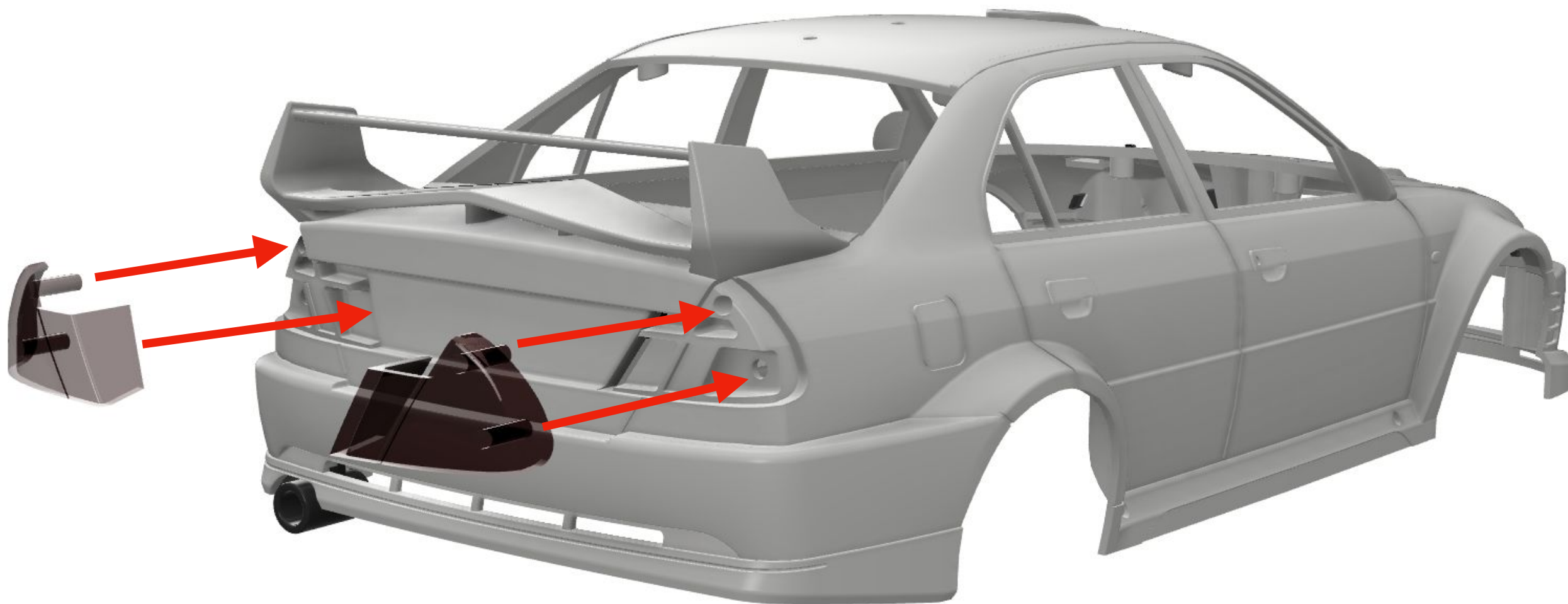
BODY ASSEMBLY





MITSUBISHI LANCER EVOLUTION VI

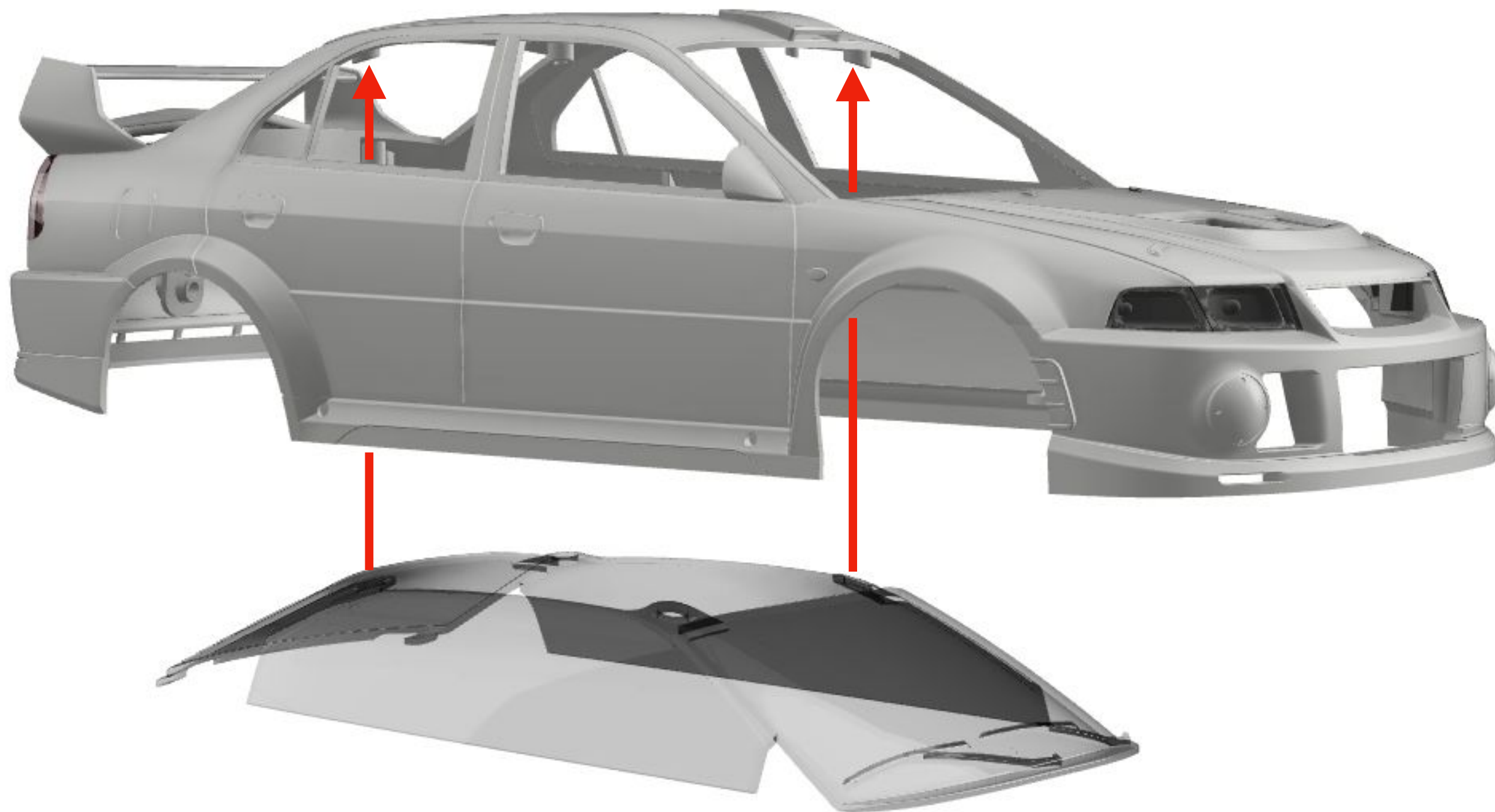
BODY ASSEMBLY





MITSUBISHI LANCER EVOLUTION VI

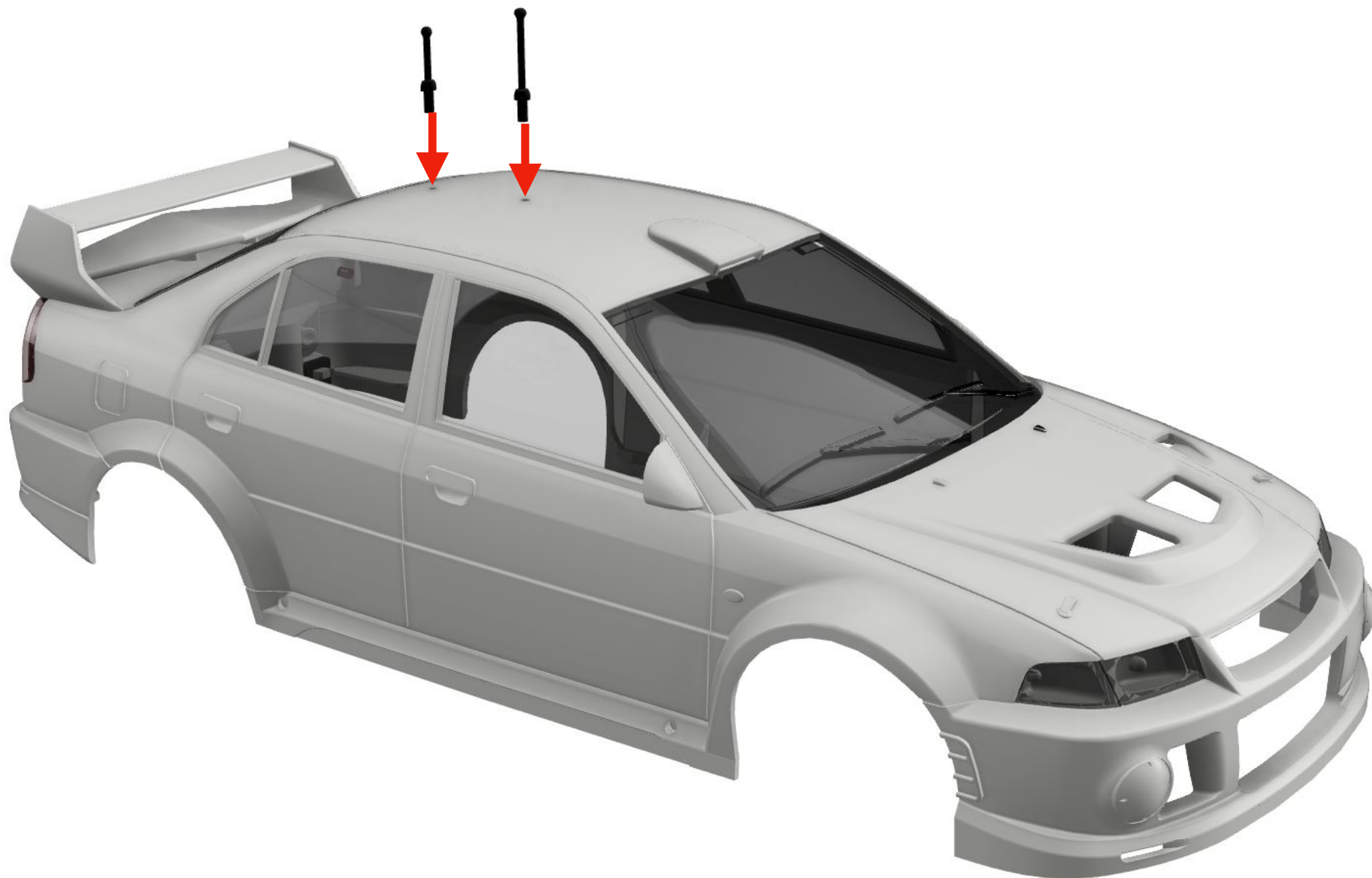
BODY ASSEMBLY





MITSUBISHI LANCER EVOLUTION VI

BODY ASSEMBLY

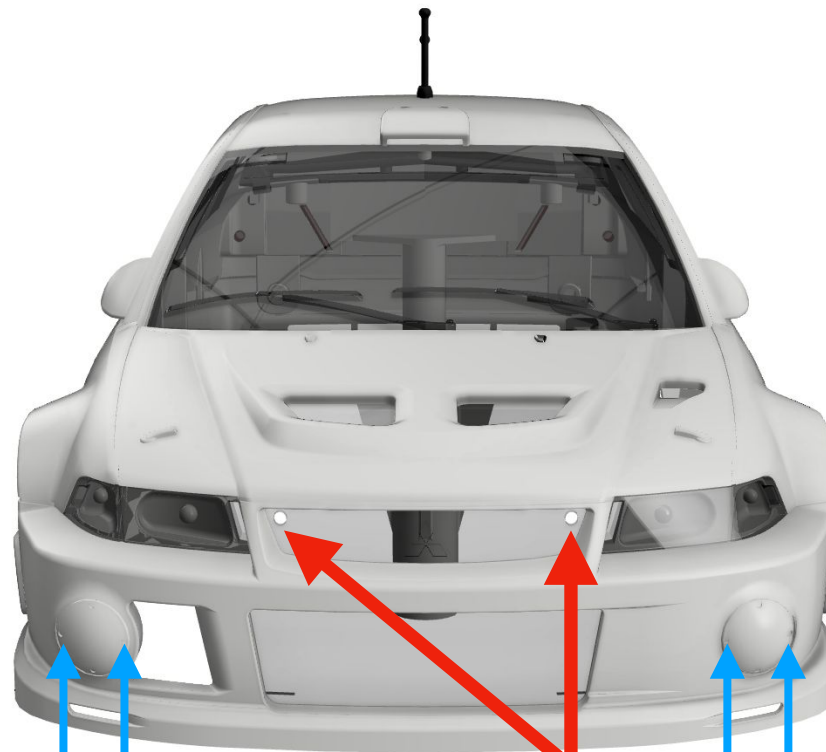


BODY ASSEMBLY

FRONT COVER OPTIONS

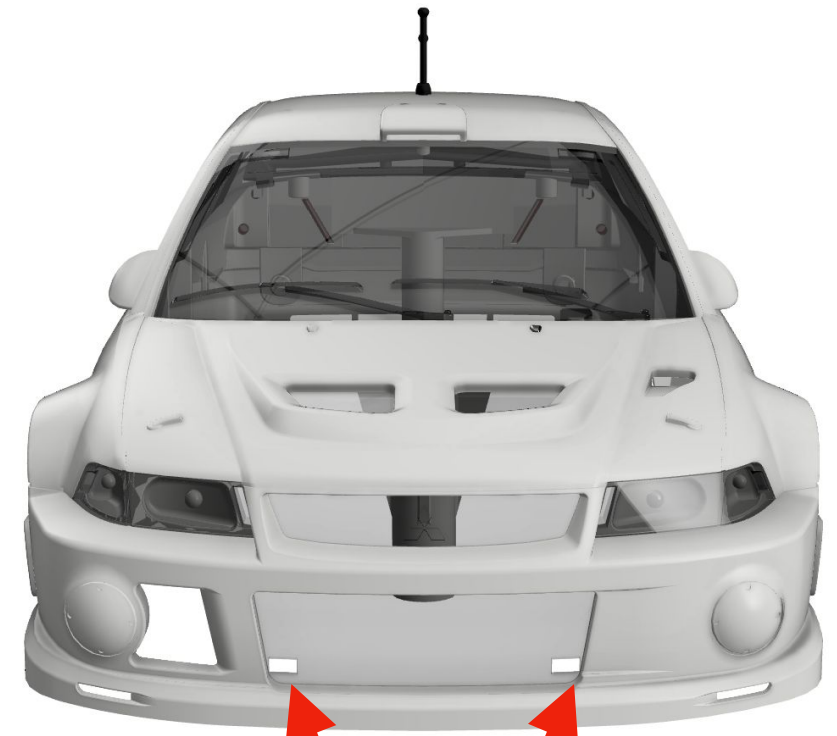


**OPTION 1
STANDARD**



Alert!
Must drill both holes
to fit night fog lights

**OPTION 2
NIGHT LIGHTS**

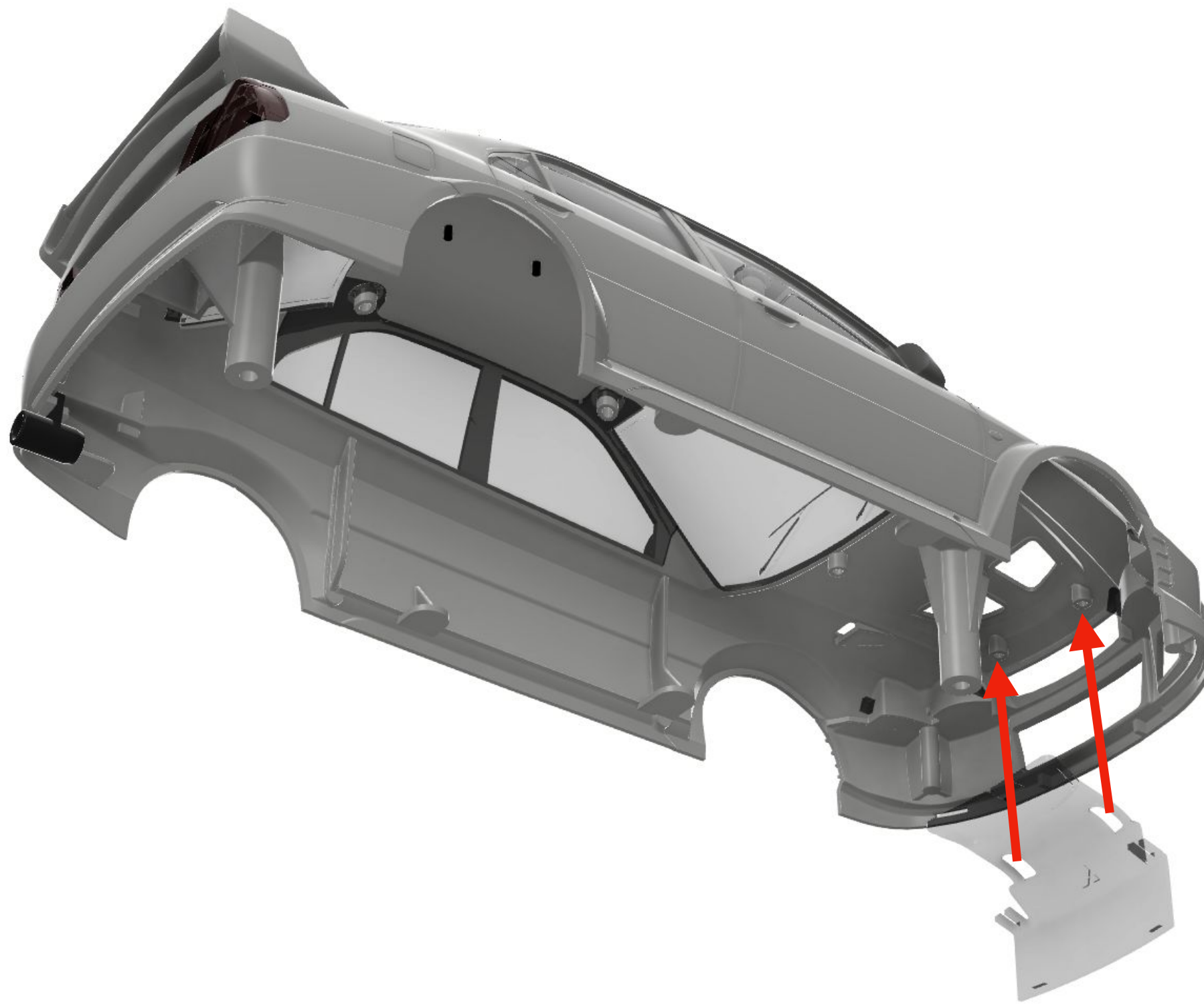


**OPTION 3
SAFARI VERSION**



MITSUBISHI LANCER EVOLUTION VI

BODY ASSEMBLY

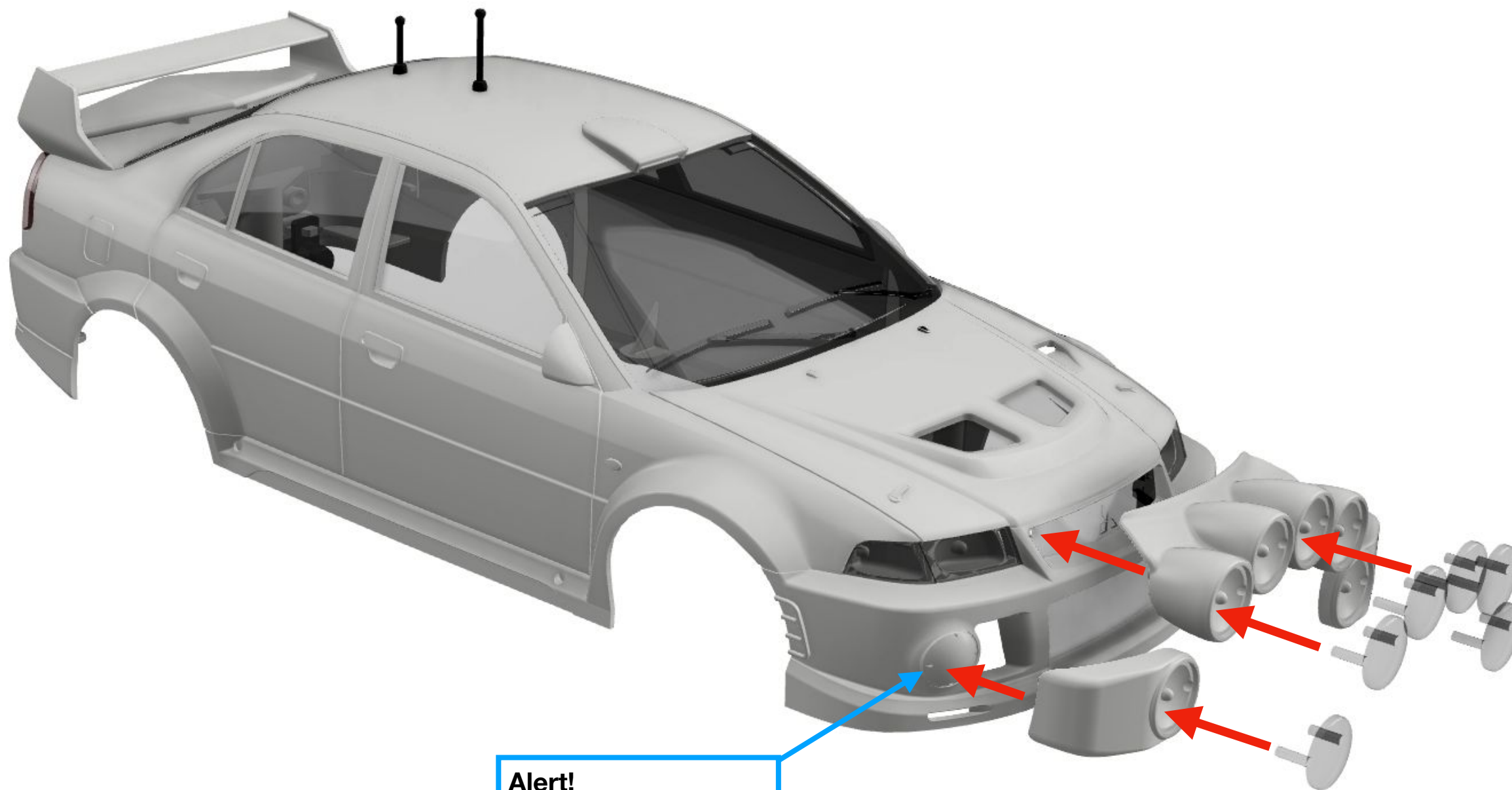




MITSUBISHI LANCER EVOLUTION VI

BODY ASSEMBLY

NIGHT LIGHTS ASSEMBLY



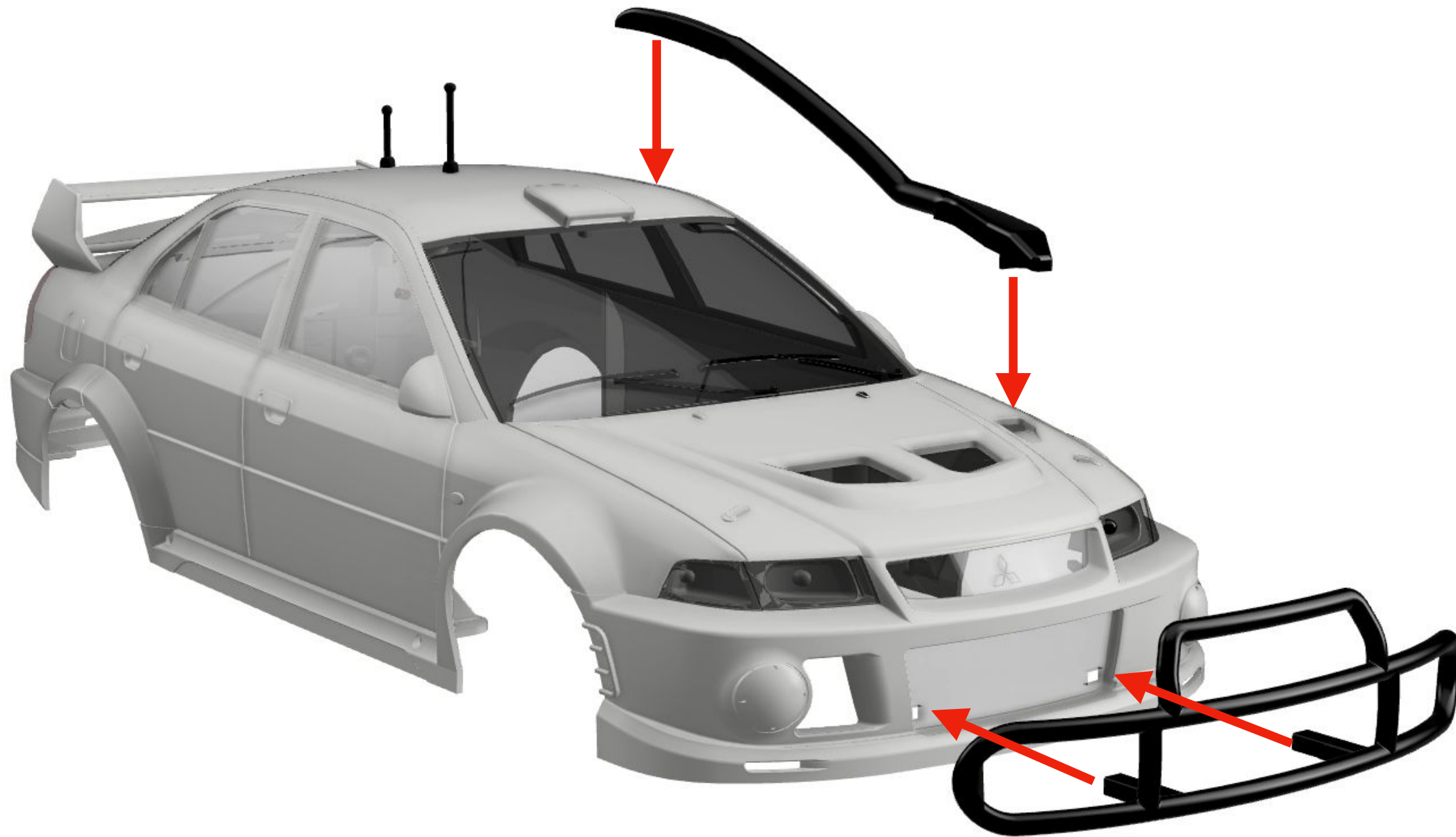
Alert!
Must drill both holes
to fit night fog lights



MITSUBISHI LANCER EVOLUTION VI

BODY ASSEMBLY

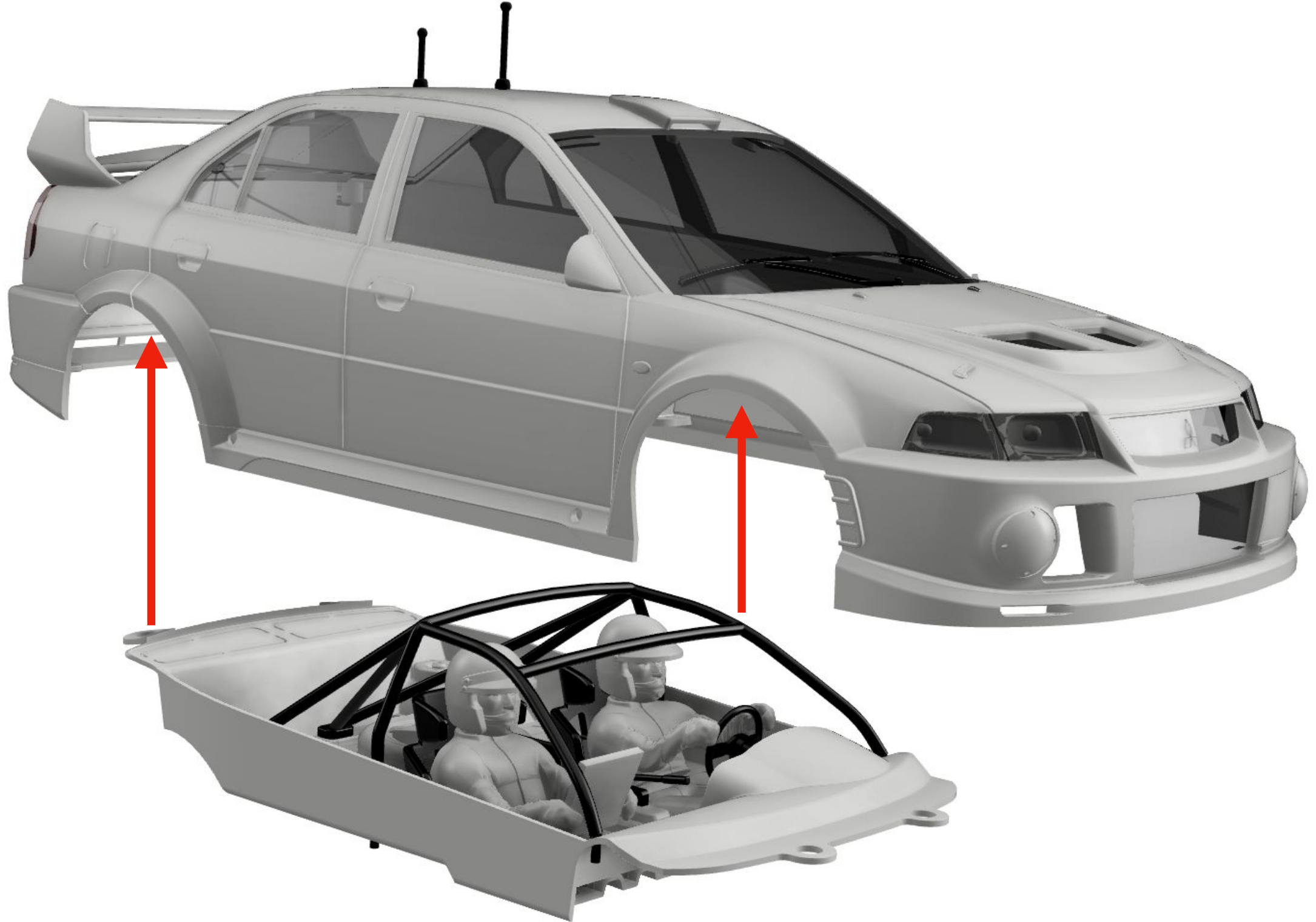
SAFARI VERSION ASSEMBLY





MITSUBISHI LANCER EVOLUTION VI

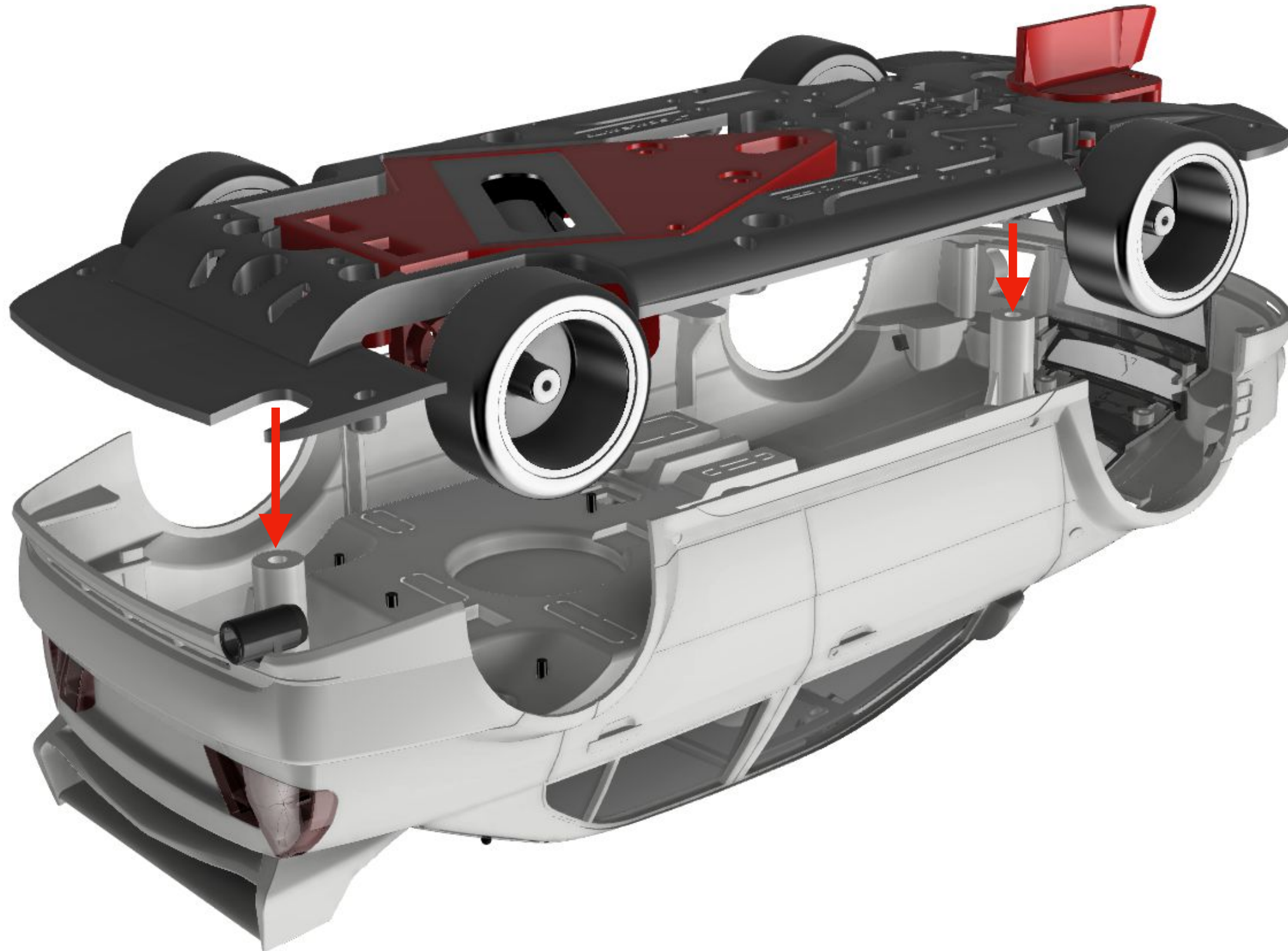
BODY ASSEMBLY





MITSUBISHI LANCER EVOLUTION VI

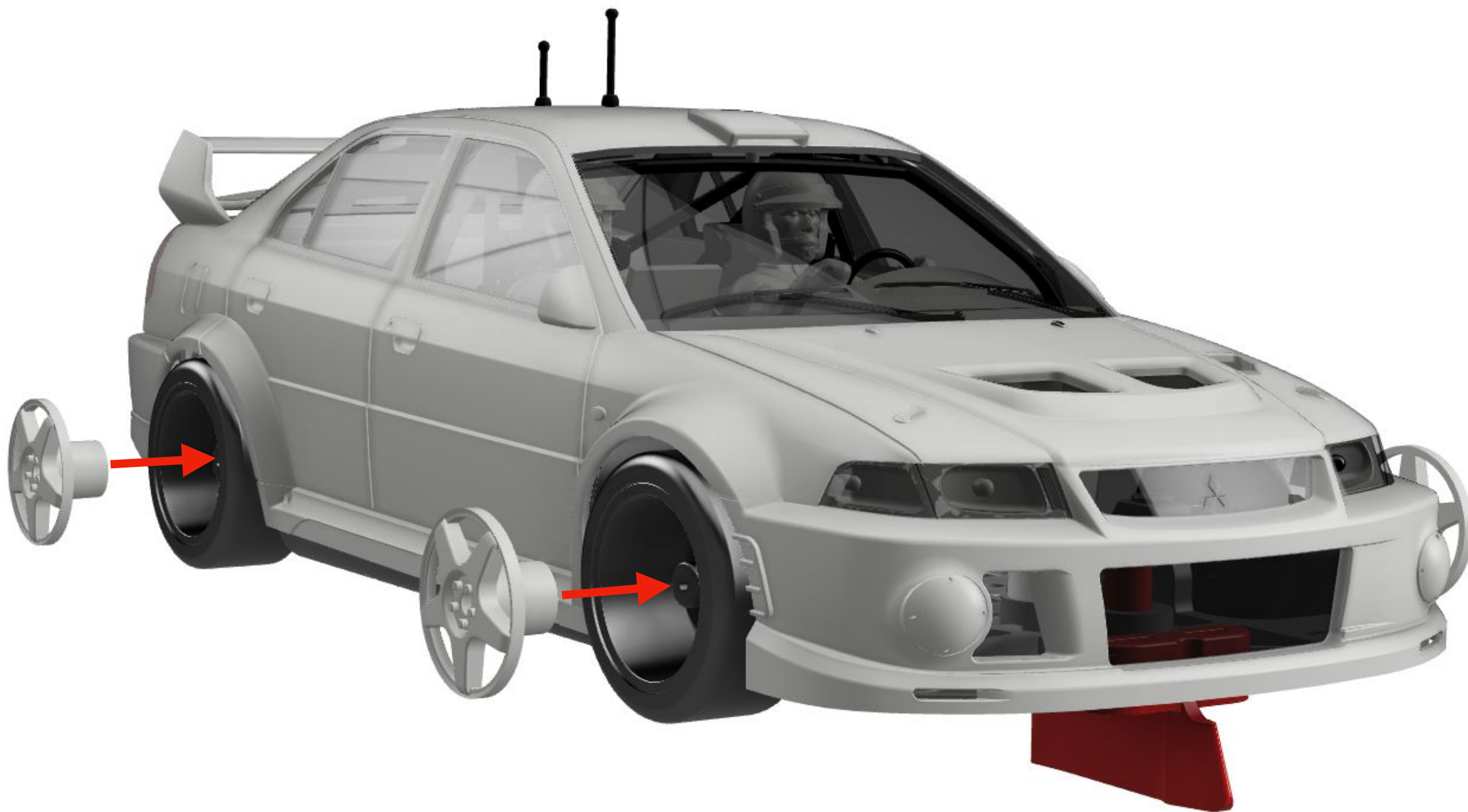
CHASIS ASSEMBLY





MITSUBISHI LANCER EVOLUTION VI

CHASIS ASSEMBLY





MITSUBISHI LANCER EVOLUTION VI

