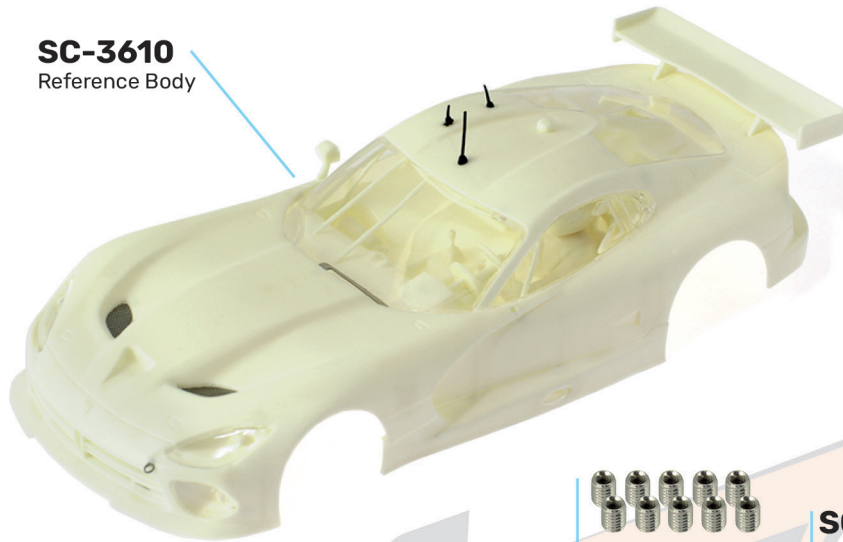


Vipers GTS-R

SC-6134

Complete white Racing Kit

SC-3610
Reference Body



SC-0011C
20.000 Rpm Long
Can. 185gr*cm.
0,18Amp

SC-1124B

Axle Stopper for 2.38mm
Slim anodized aluminium
for AW/SW gears M2



SC-1650

Flexible
Silicone Wire



SC-1359

Self lubricated
bronze spheric bushing



SC-1167BR

Polyamide Anglewinder
Gear 27th M50 for 2.38mm
axle. ϕ 15.8mm. Screw M2.5
Reverse Insert.



SC-5137

Set Screws
M2.5x3mm

SC-5138

Body Screws 6mm



SC-1652

Guide set
screw



SC-1630

Braid Thinned 3.2x0.35mm



SC-1608B

Low Profile advanced
guide set



SC-1211

2.38mm x 55mm
rectified Steel Axle



SC-4734

Rubber tyre RT
18x9mm Spirit,
hub 15-16



SC-4735

Rubber tyre
RT 19x10.5mm
Spirit



SC-1011

Polyamide pinion
11 teeth M50 (4 pcs) 6mm



SC-6664B

Medium Soft
Viper GTS-R

SC-6528C

RT3 Motor mount
offset -1.0mm



SC-3607

Rubber mirrors + antenna



SC-3630A4

Rear Wing Flexible Material



SC-1168BR

Polyamide Anglewinder
Gear 28th M50
for 2.38mm axle.
ø15.8mm. Screw
M2.5 Reverse Insert.



SC-5128A

Shock absorber set RT
long 6mm x 4.3mm
diameter



SC-4054D25

Aluminium Hub
16,5x10mm Monza-2
for 3/32 Axle M2 Screw



SC-4031Z2

3DP Extreme Design
Hub for 2,38mm axle.
15.8mmx8mm.

SC-4756AS25

Rubber Tyre A-S25
20x10,5mm
Racing Slick.



SC-1095A65

Brass Pinion 12d. For
2mm Axel. ø6,5mm



SC-1095E65

Ergal Pinion 12d.
M50 For 2mm Axel.
ø6,5mm.



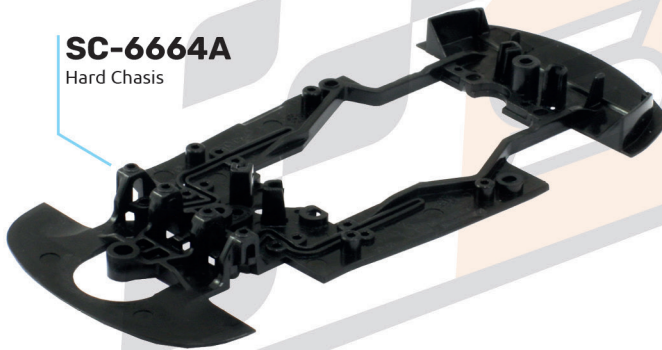
SC-1132B65

12th Steel Pinion for
2mm. motor axle.
ø6,5mm x 2.5mm



SC-6664A

Hard Chasis



SC-1648

Braid Cooper 3.5x0.5mm



SC-6626

Complete light cockpit set
SRT Viper GTS-R



SC-4724

Rubber tyre Zero
Grip 16x8,8mm,
hub 14-16



SC-6538

Soporte Motor AW RT3
Extension set



SC-6535C

RT3 Motor mount
offset -0.75mm

