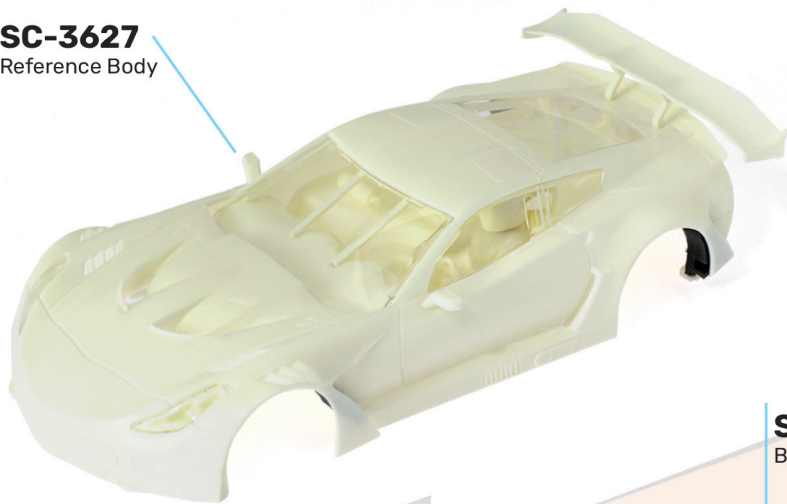


## Callaway

# SC-6281

Complete white Racing Kit

**SC-3627**  
Reference Body



**SC-0011C**  
20.000 Rpm Long  
Can. 185gr\*cm.  
0,18Amp

**SC-1124B**

Axle Stopper for 2.38mm  
Slim anodized aluminium  
for AW/SW gears M2



**SC-1650**

Flexible  
Silicone Wire



**SC-1359**

Self lubricated  
bronze spheric bushing



**SC-1167BR**

Polyamide Anglewinder  
Gear 27th M50 for 2.38mm  
axle. ø15.8mm. Screw M2.5  
Reverse Insert.



**SC-5138**

Body Screws 6mm



**SC-1652**

Guide set  
screw



**SC-5137**

Set Screws  
M2.5x3mm



**SC-4735**

Rubber tyre  
RT 19x10,5mm  
Spirit



**SC-1630**

Braid Thinned 3.2x0.35mm



**SC-1011**

Polyamide pinion  
11 teeth M50 (4 pcs) 6mm



**SC-1608B**

Low Profile advanced  
guide set



**SC-6668B**

Chassis Medium  
Soft CAL



**SC-6528C**

RT3 Motor mount  
offset -1.0mm



**SC-1211**

2.38mm x 55mm  
rectified Steel Axle



**SC-4734**

Rubber tyre RT  
18x9mm Spirit,  
hub 15-16





### SC-3607

Rubber mirrors + antenna



### SC-3630A16

Rear Wing Flexible Material



### SC-1168BR

Polyamide Anglewinder Gear 28th M50 for 2.38mm axle. ø15.8mm. Screw M2.5 Reverse Insert.



### SC-5128A

Shock absorber set RT long 6mm x 4.3mm diameter



### SC-4756AS25

Rubber Tyre A-S25 20x10,5mm Racing Slick.



### SC-4054D25

Aluminium Hub 16,5x10mm Monza-2 for 3/32 Axle M2 Screw

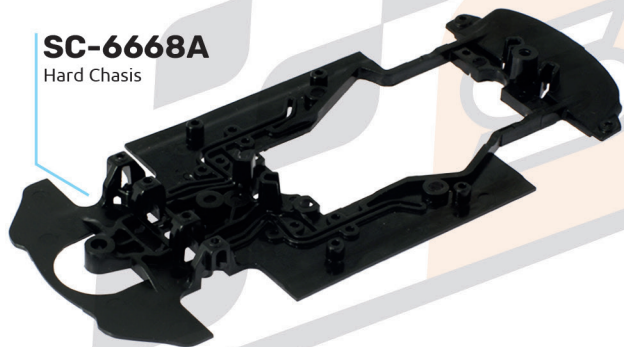


### SC-4031Z2

3DP Extreme Design Hub for 2,38mm axle. 15,8mmx8mm.

### SC-6668A

Hard Chasis



### SC-1095A65

Brass Pinion 12d. For 2mm Axel. ø6,5mm



### SC-1095E65

Ergal Pinion 12d. M50 For 2mm Axel. ø6,5mm.



### SC-1132B65

12th Steel Pinion for 2mm. motor axle. ø6,5mm x 2.5mm



### SC-1648

Braid Cooper 3.5x0.5mm



### SC-4724

Rubber tyre Zero Grip 16x8,8mm, hub 14-16



### SC-6538

Soporte Motor AW RT3 Extension set



### SC-6535C

RT3 Motor mount offset -0.75mm



### SC-6656

Interior Lexan para A7R GT3

