



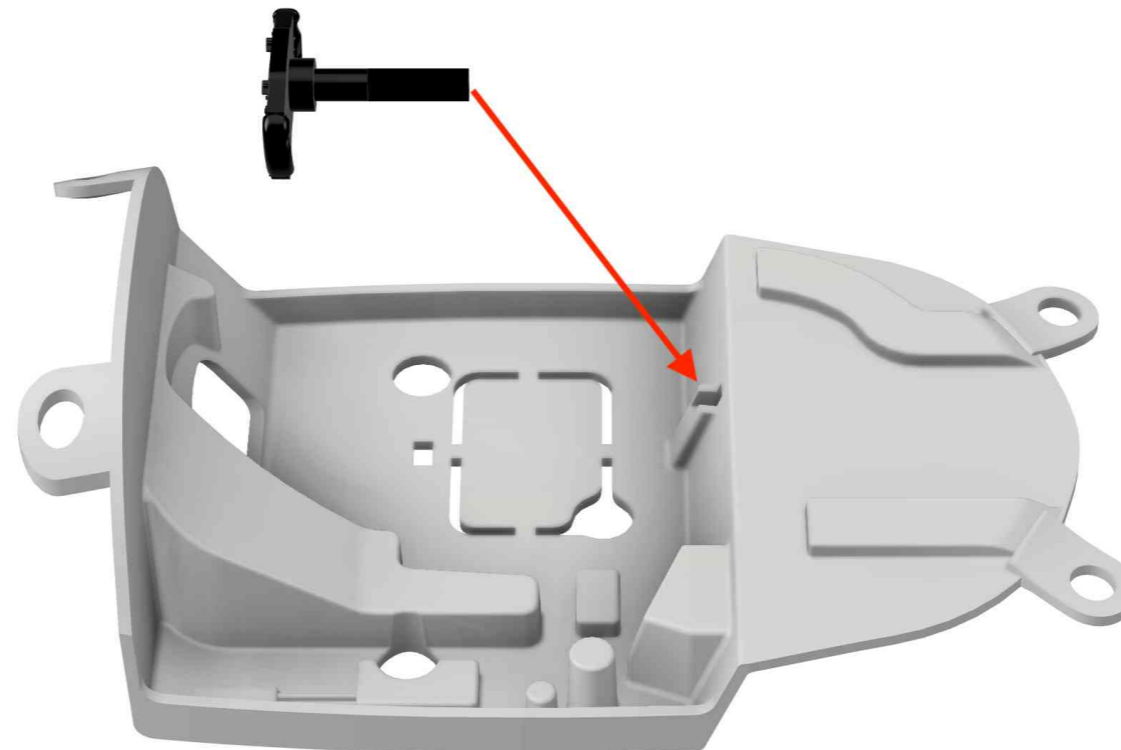
# PEUGEOT 9X8 HYPERCAR





# PEUGEOT 9X8 HYPERCAR

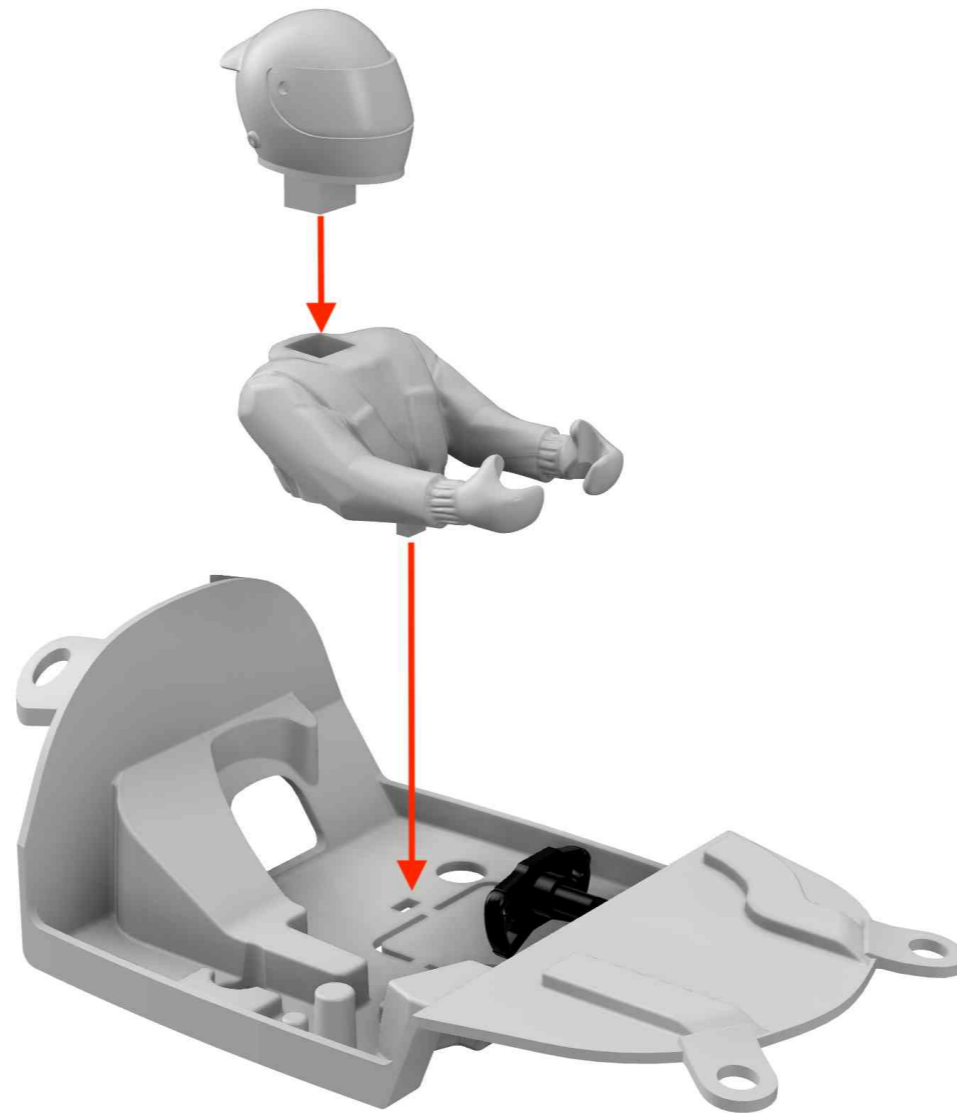
## COCKPIT ASSEMBLY





# PEUGEOT 9X8 HYPERCAR

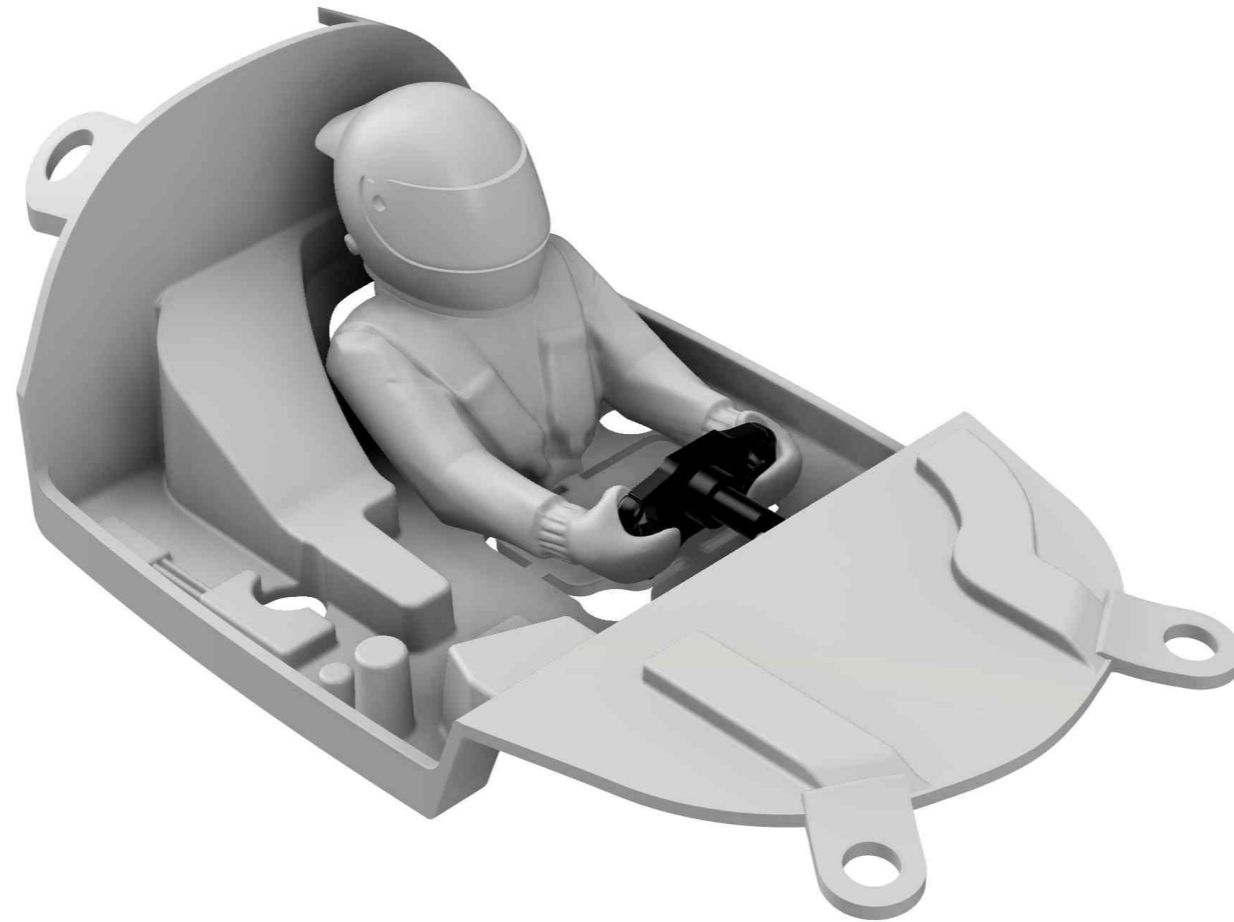
## COCKPIT ASSEMBLY





# PEUGEOT 9X8 HYPERCAR

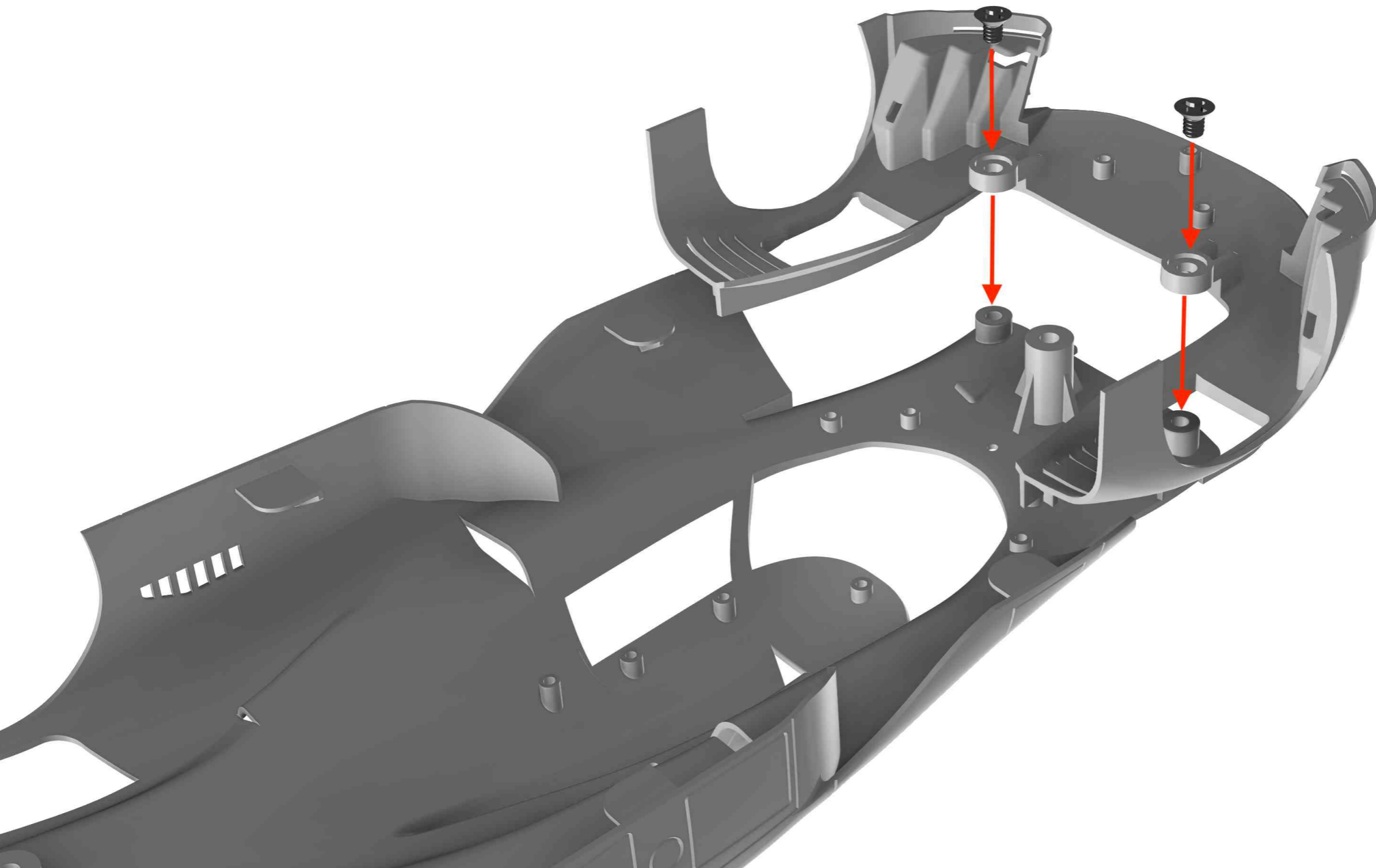
## COCKPIT ASSEMBLY





# PEUGEOT 9X8 HYPERCAR

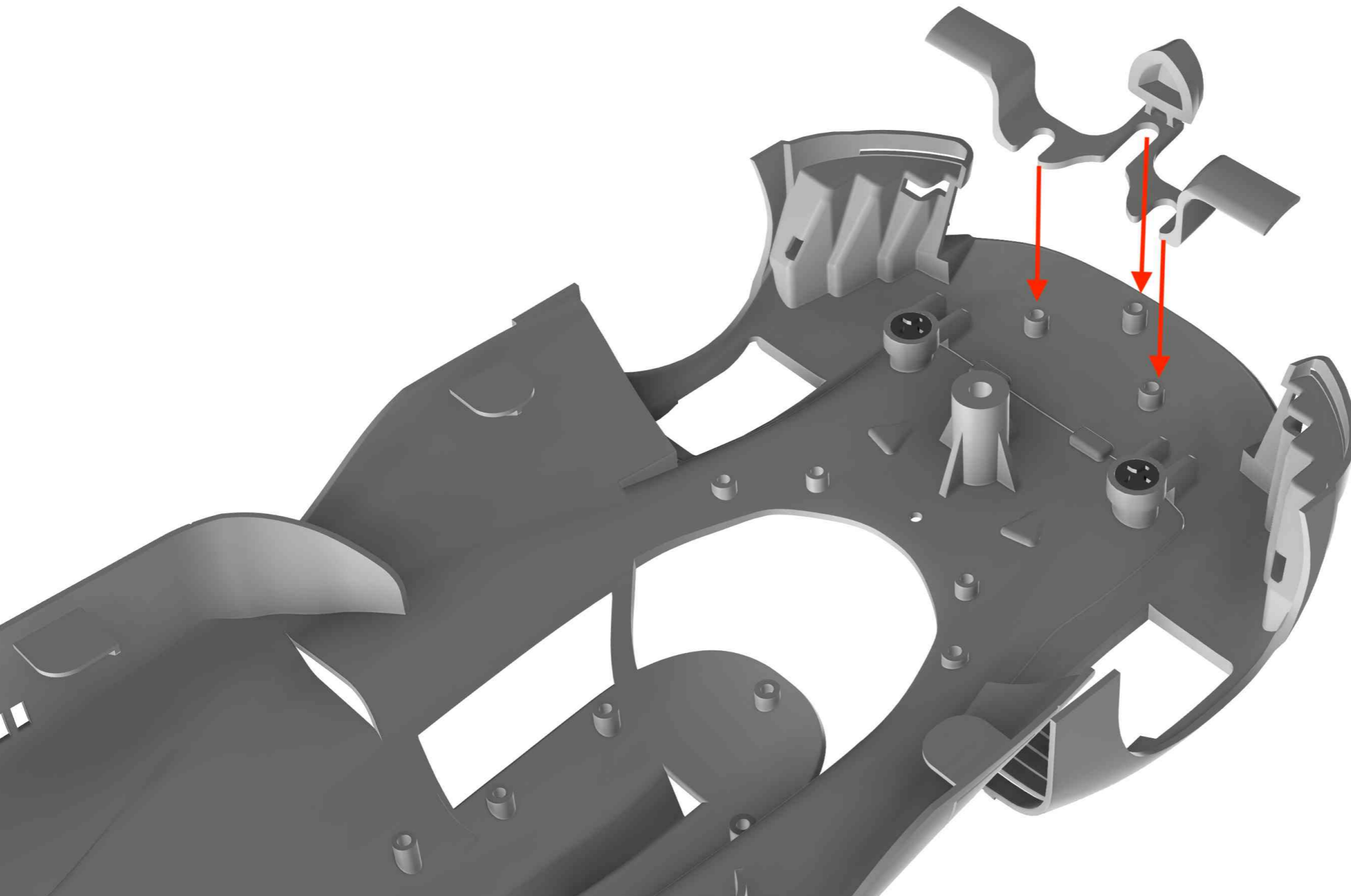
## BODY ASSEMBLY





# PEUGEOT 9X8 HYPERCAR

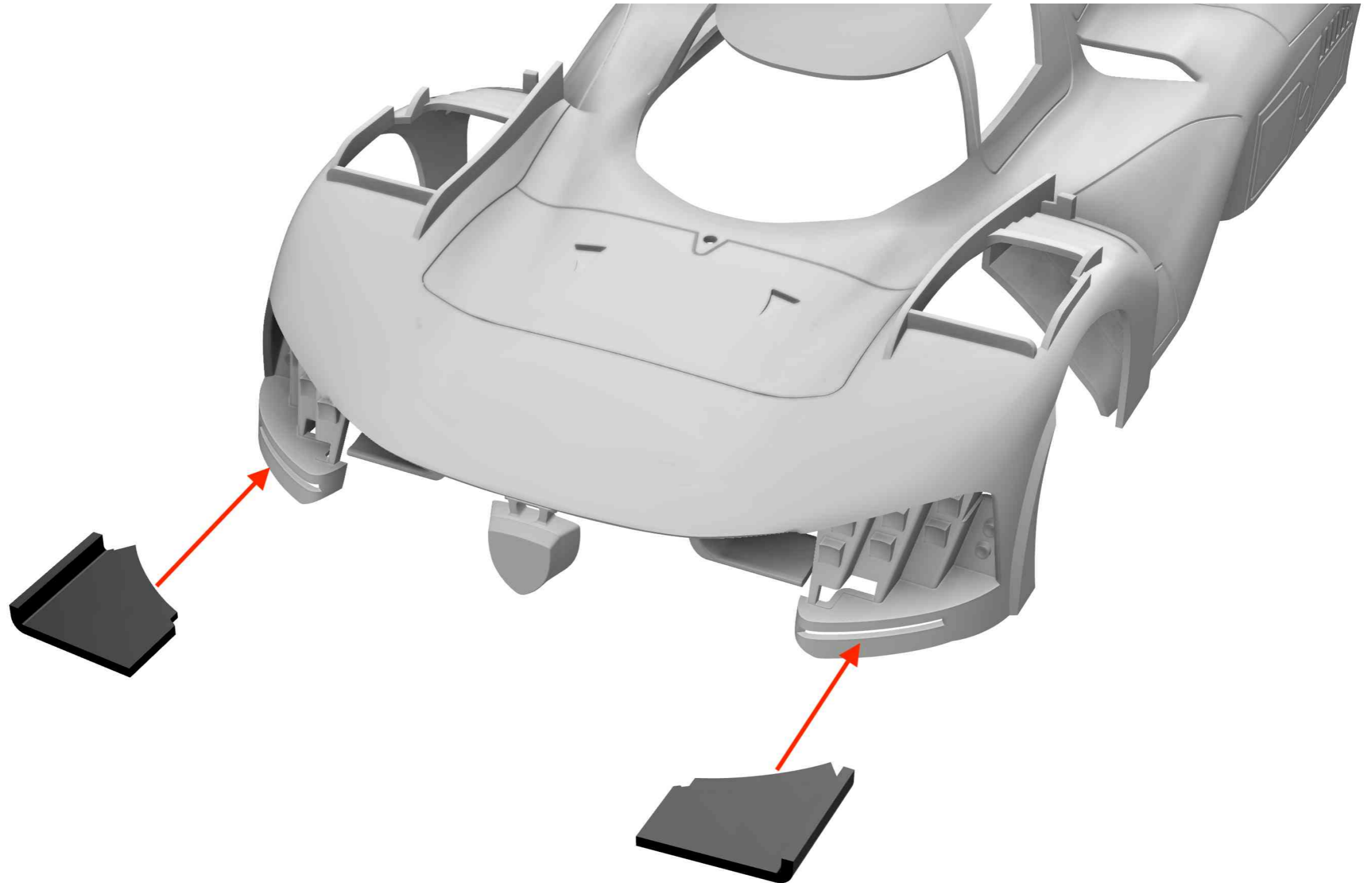
## BODY ASSEMBLY





# PEUGEOT 9X8 HYPERCAR

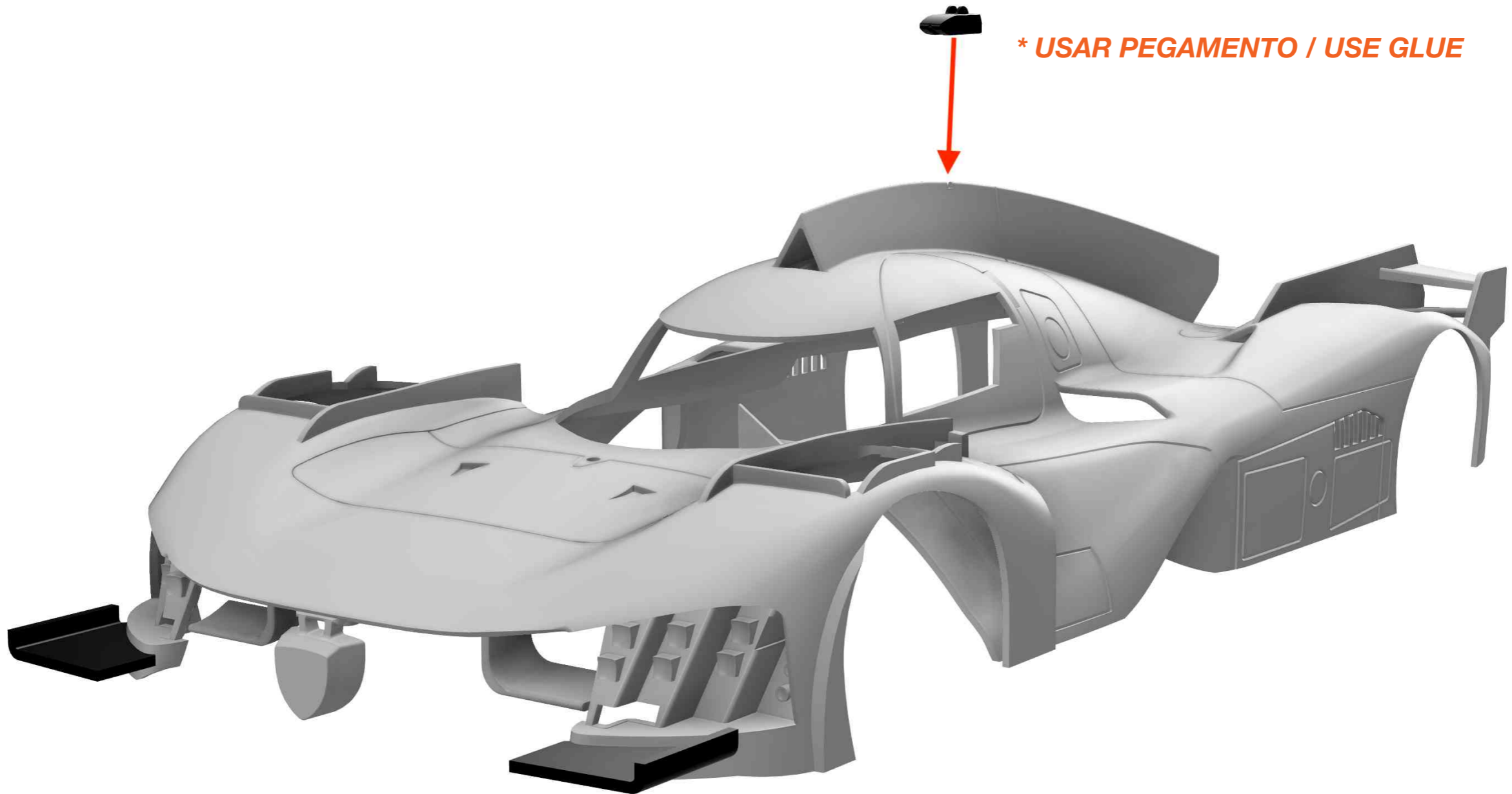
## BODY ASSEMBLY





# PEUGEOT 9X8 HYPERCAR

## BODY ASSEMBLY



*\* USAR PEGAMENTO / USE GLUE*

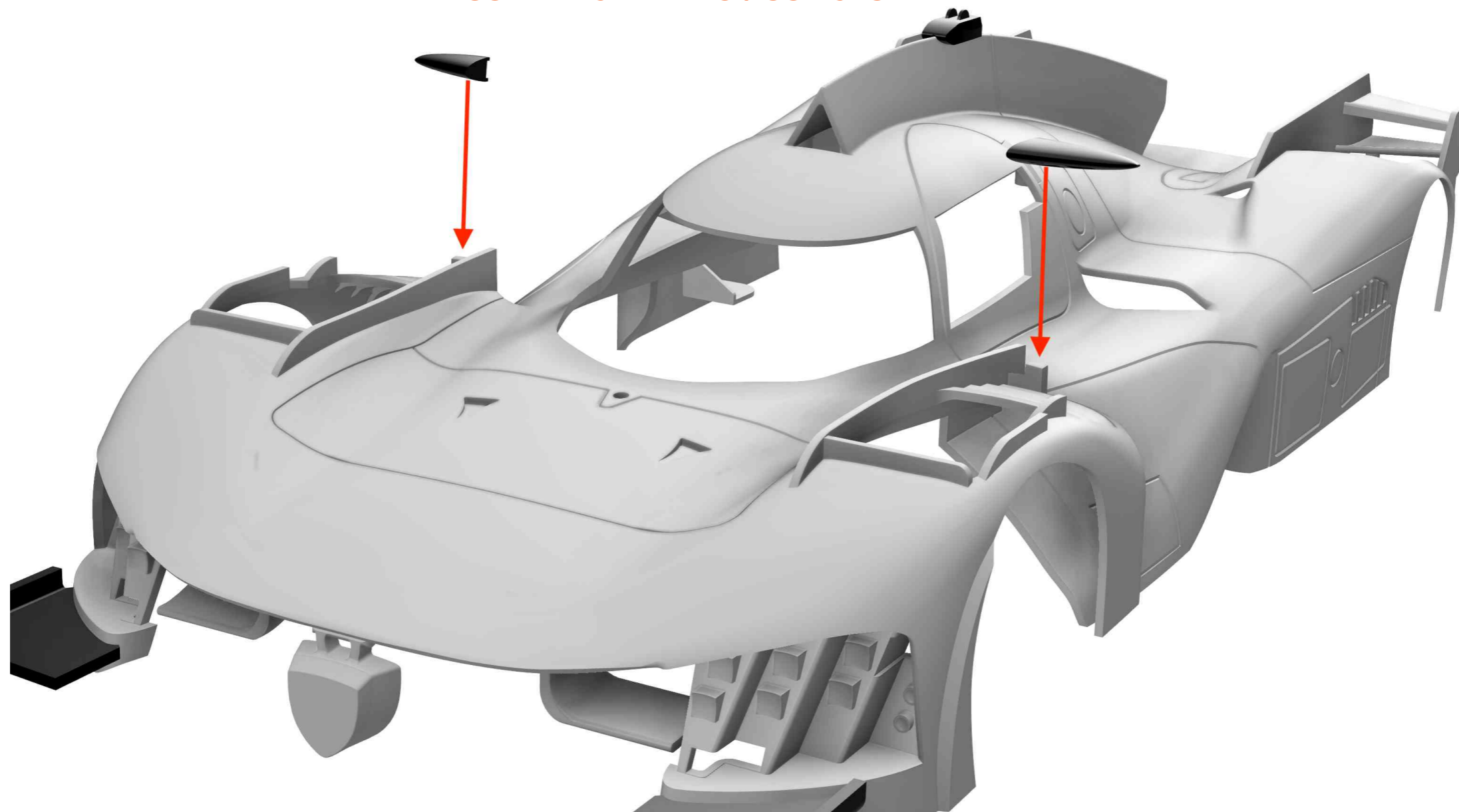




# PEUGEOT 9X8 HYPERCAR

## BODY ASSEMBLY

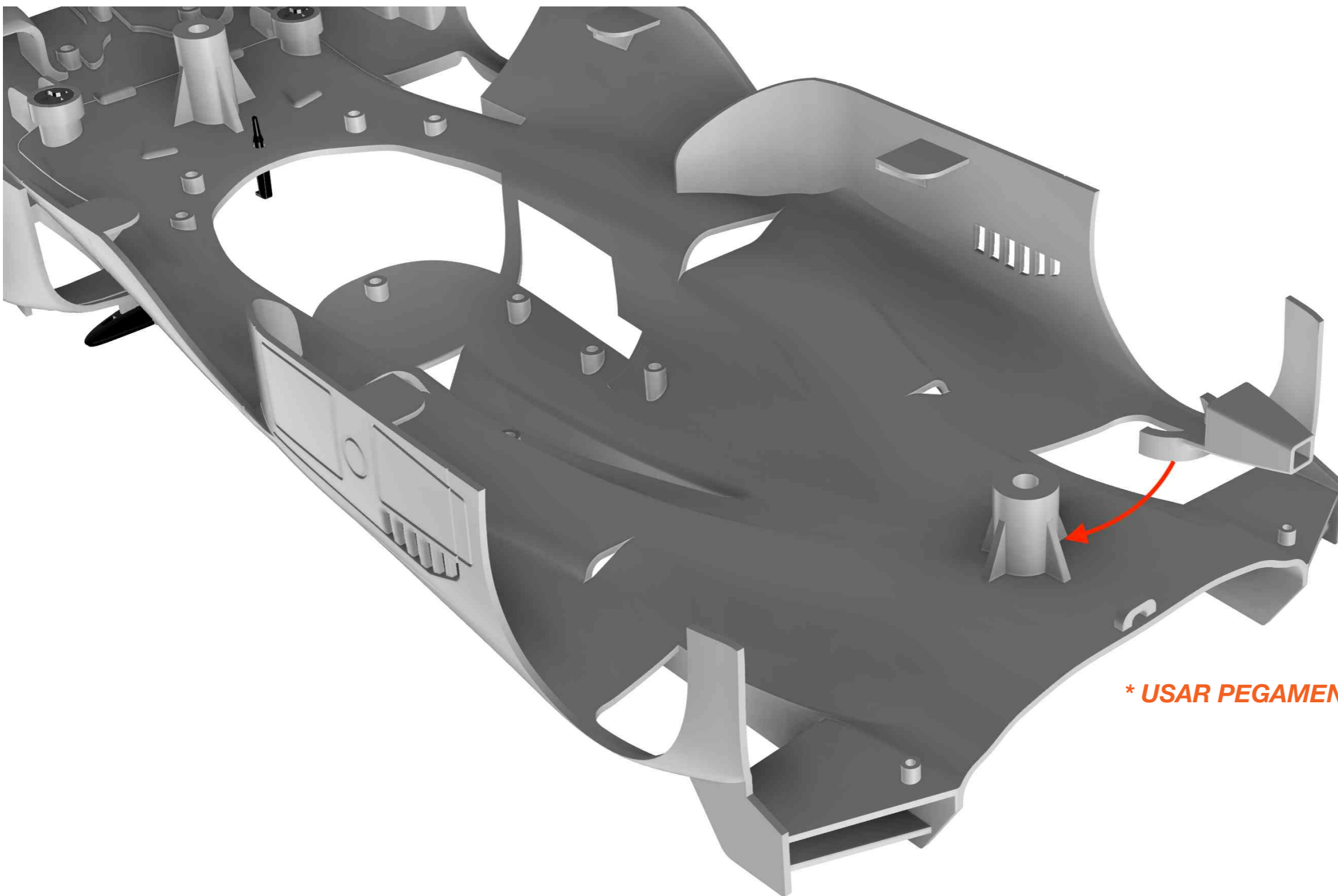
*\* USAR PEGAMENTO / USE GLUE*





# PEUGEOT 9X8 HYPERCAR

## BODY ASSEMBLY

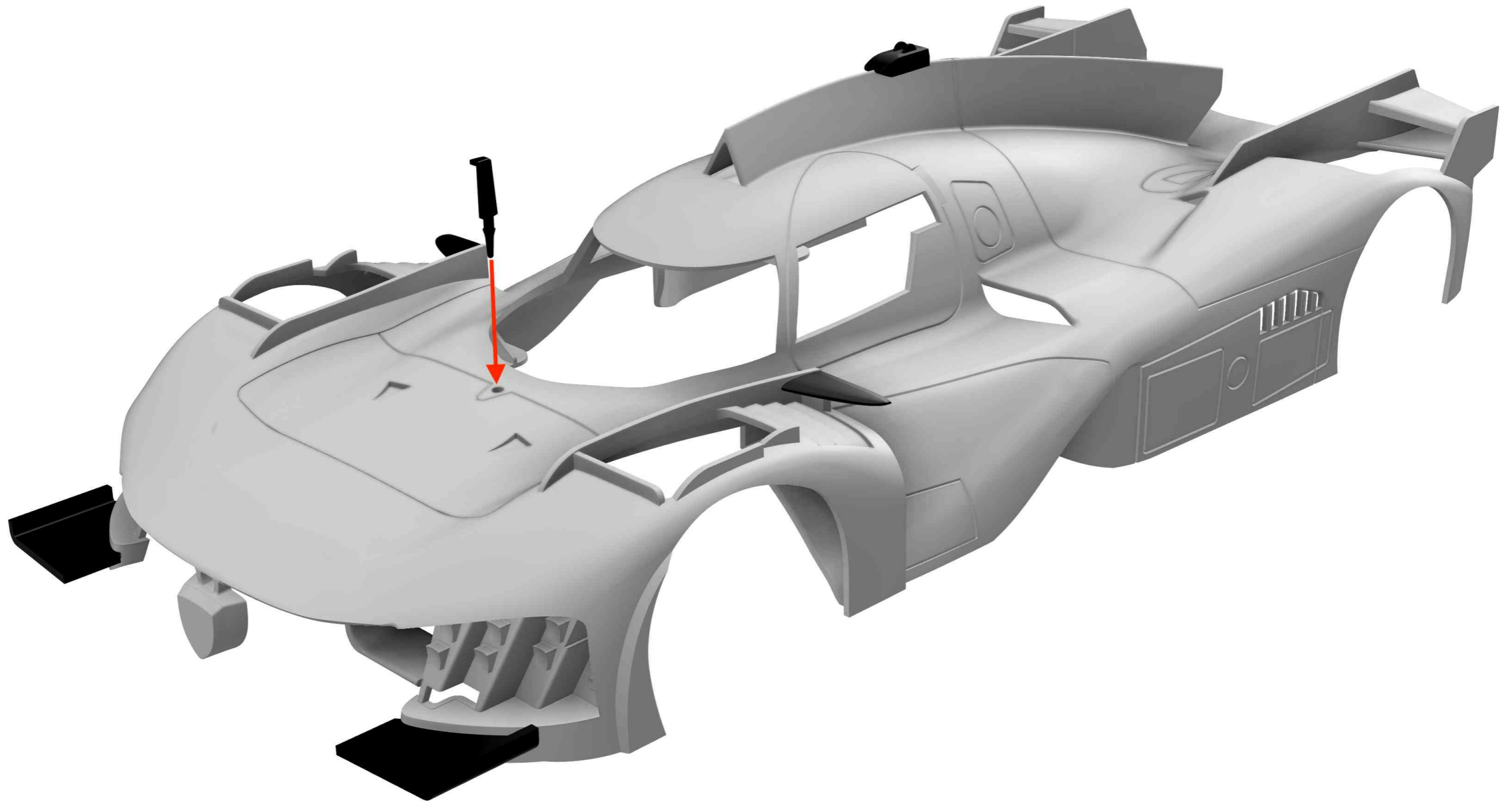


**\* USAR PEGAMENTO / USE GLUE**



# PEUGEOT 9X8 HYPERCAR

## BODY ASSEMBLY





# PEUGEOT 9X8 HYPERCAR

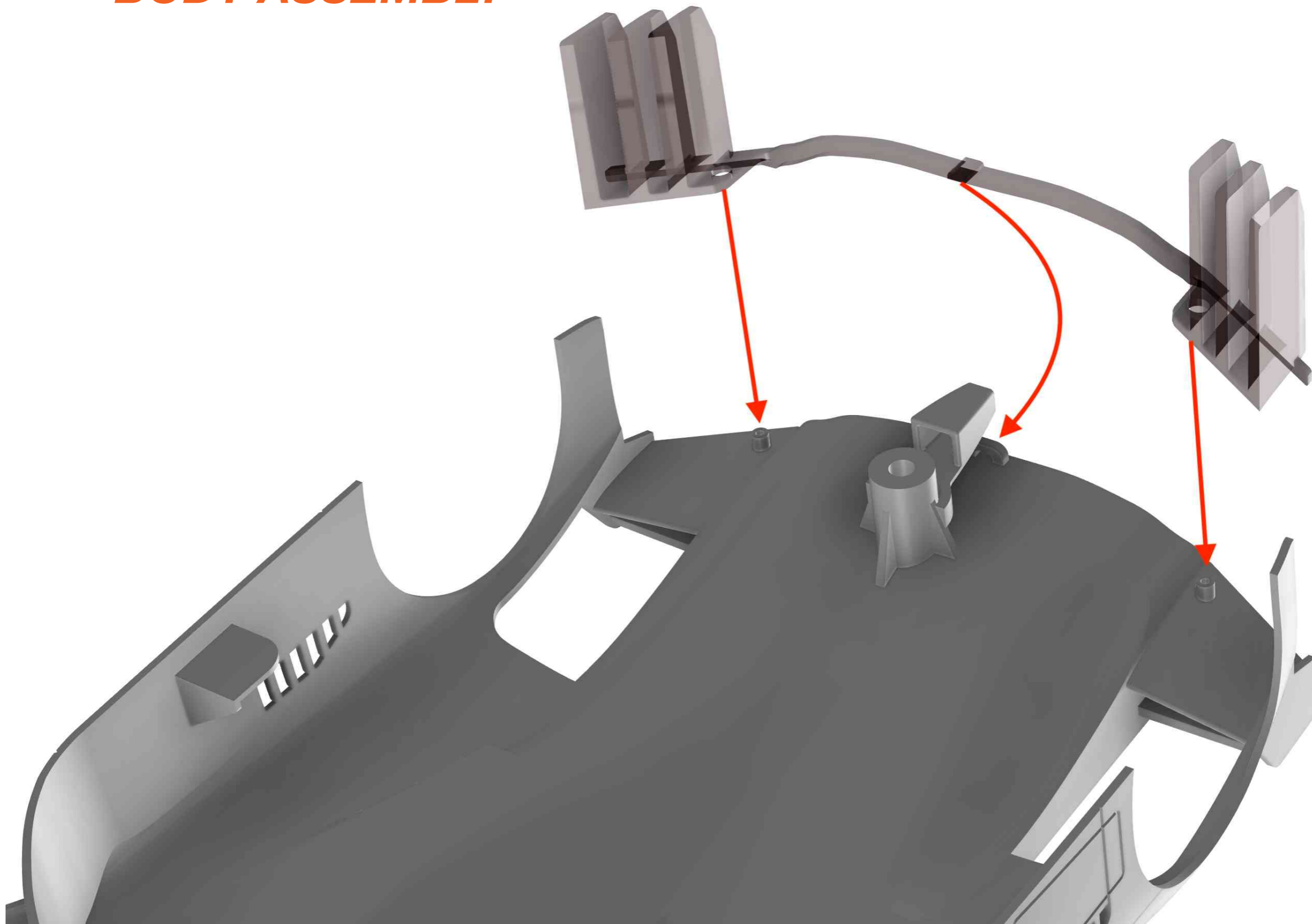
## BODY ASSEMBLY





# PEUGEOT 9X8 HYPERCAR

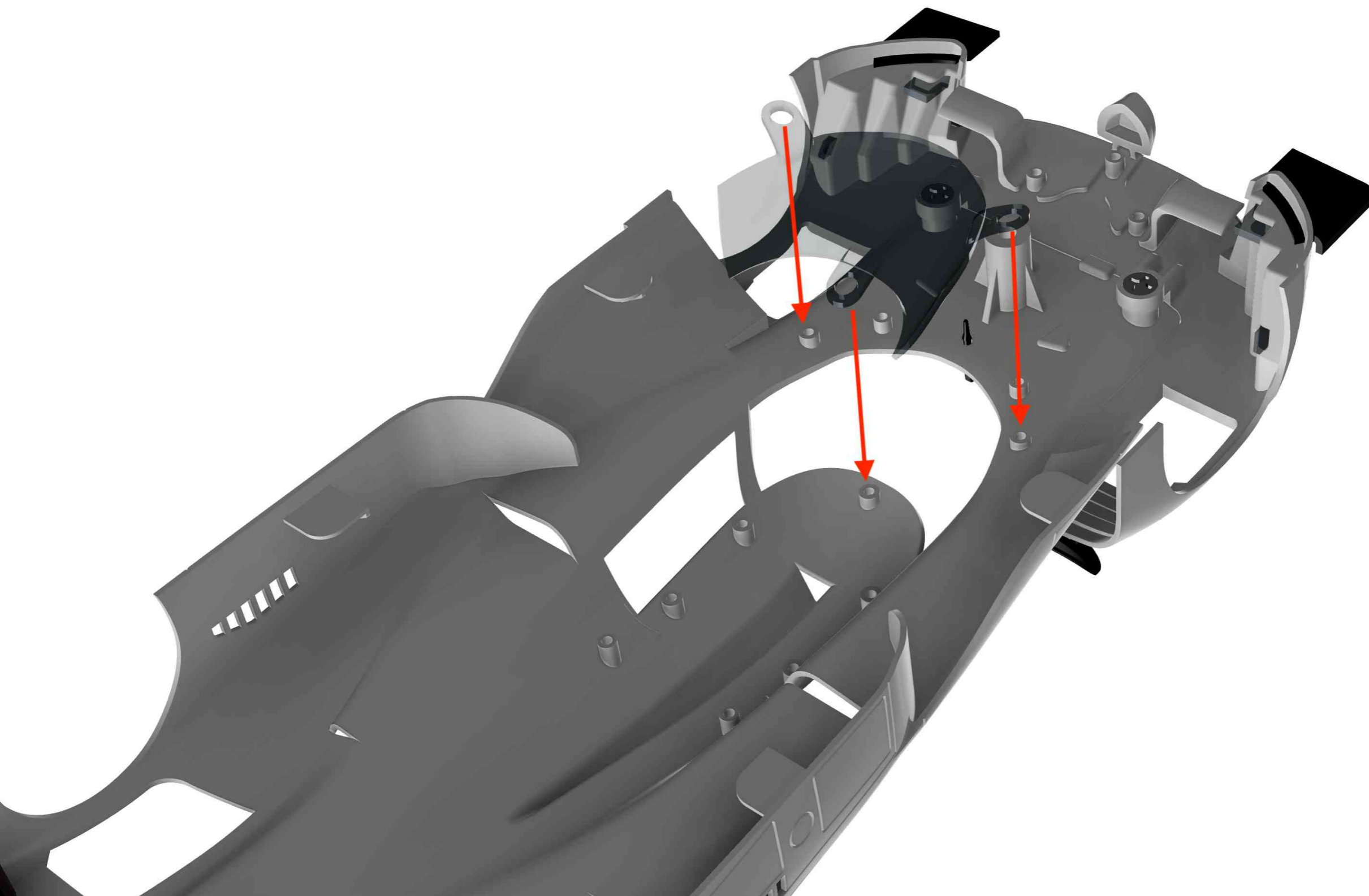
## BODY ASSEMBLY





# PEUGEOT 9X8 HYPERCAR

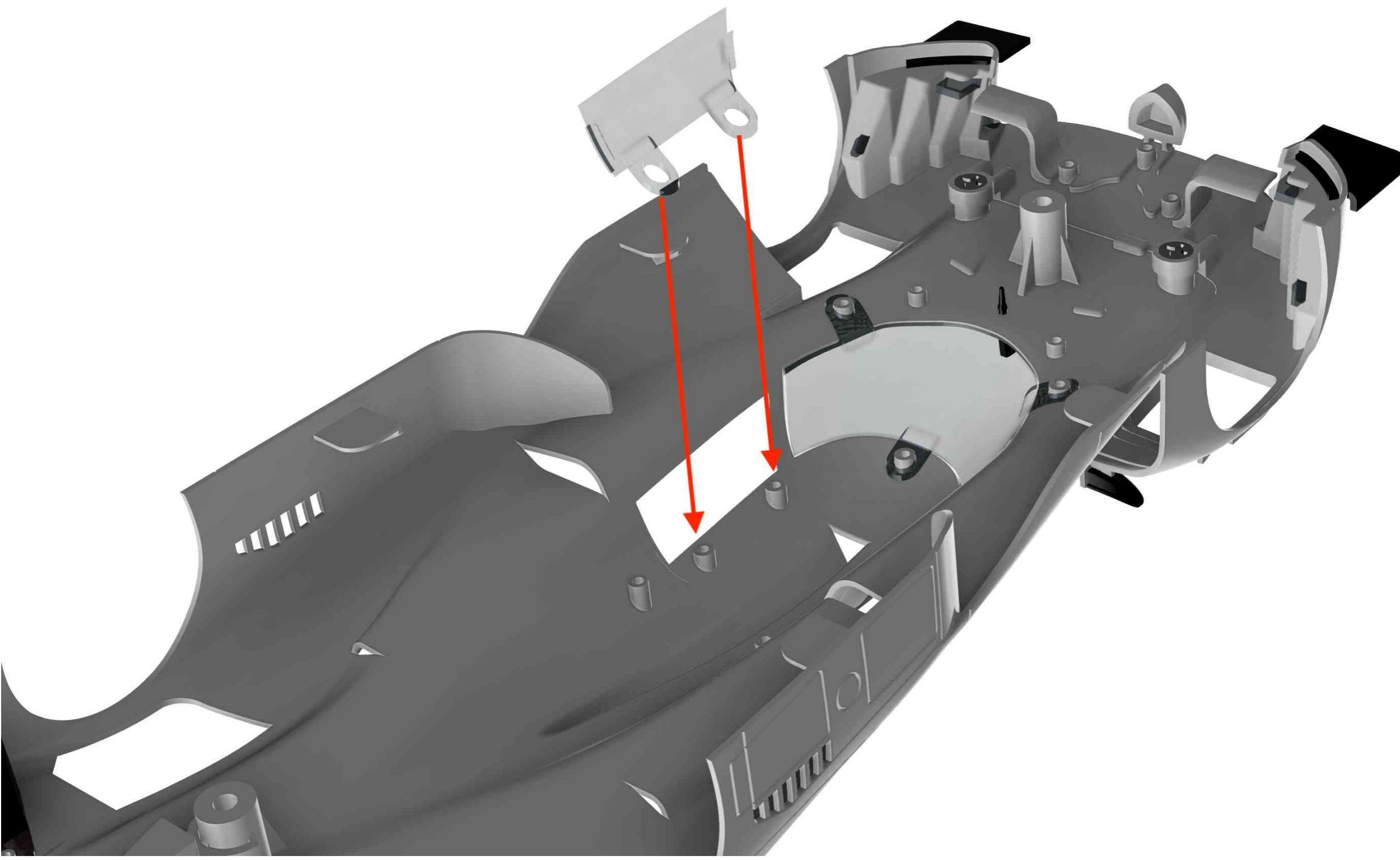
## BODY ASSEMBLY





# PEUGEOT 9X8 HYPERCAR

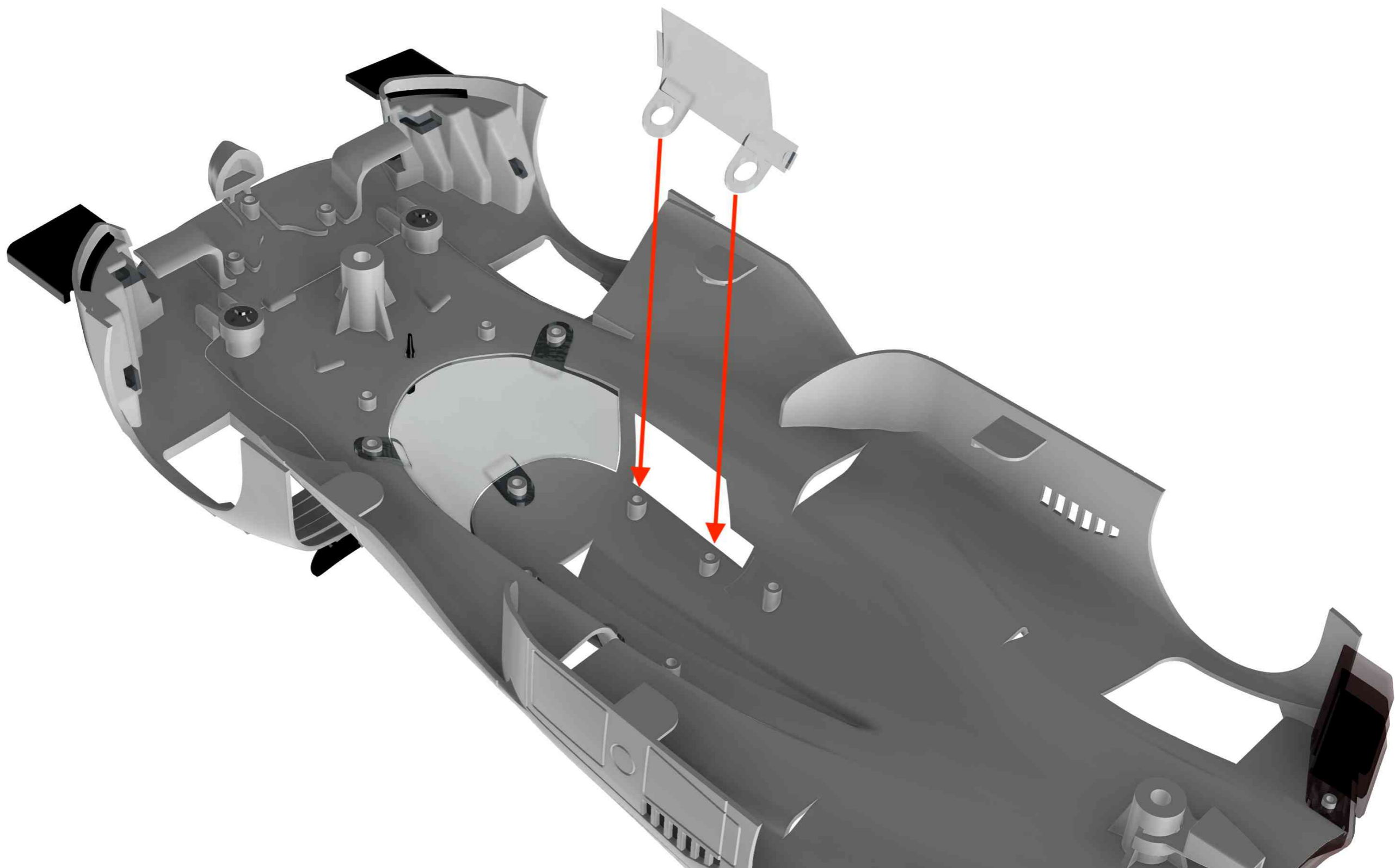
## BODY ASSEMBLY





# PEUGEOT 9X8 HYPERCAR

## BODY ASSEMBLY

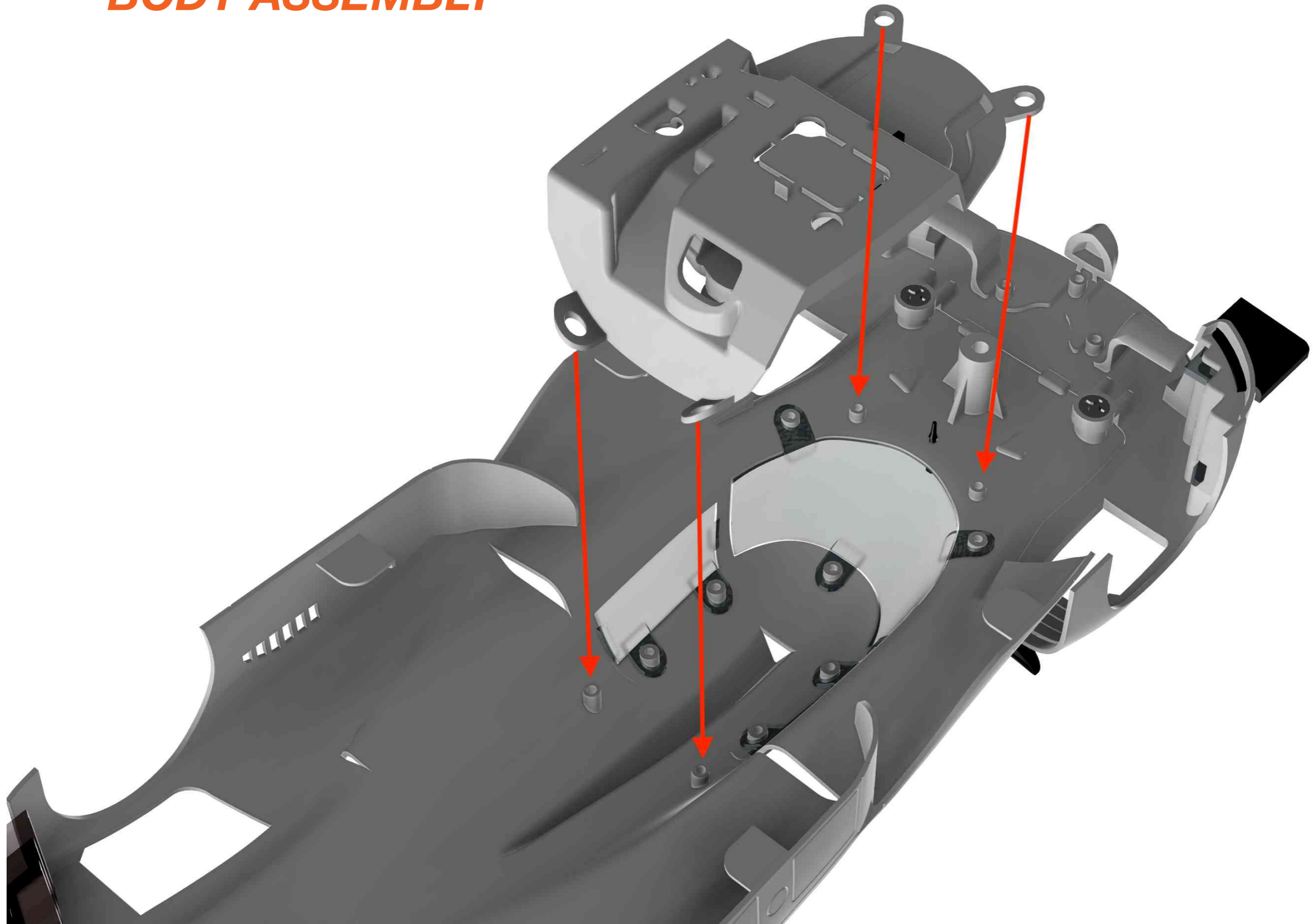






# PEUGEOT 9X8 HYPERCAR

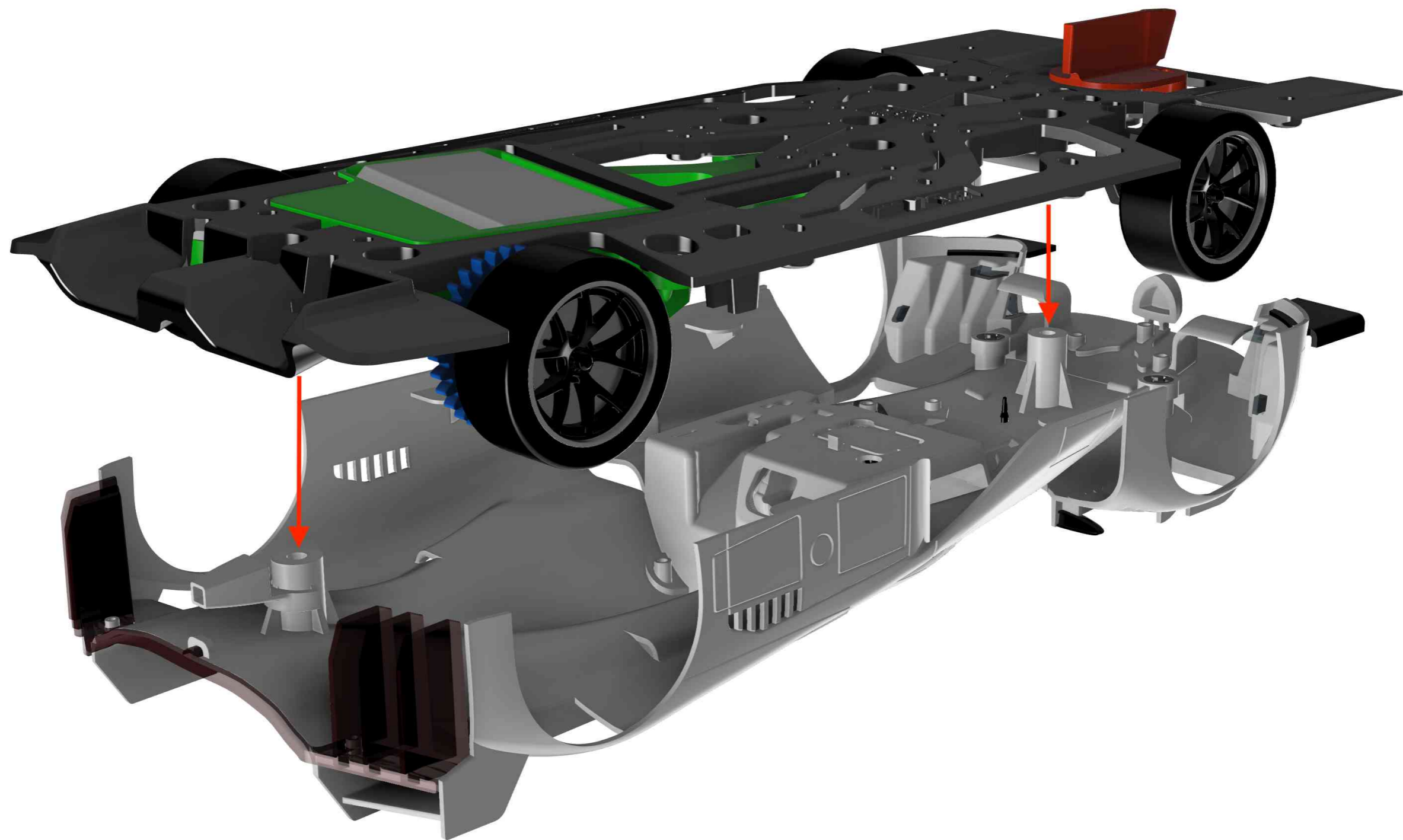
## BODY ASSEMBLY





# PEUGEOT 9X8 HYPERCAR

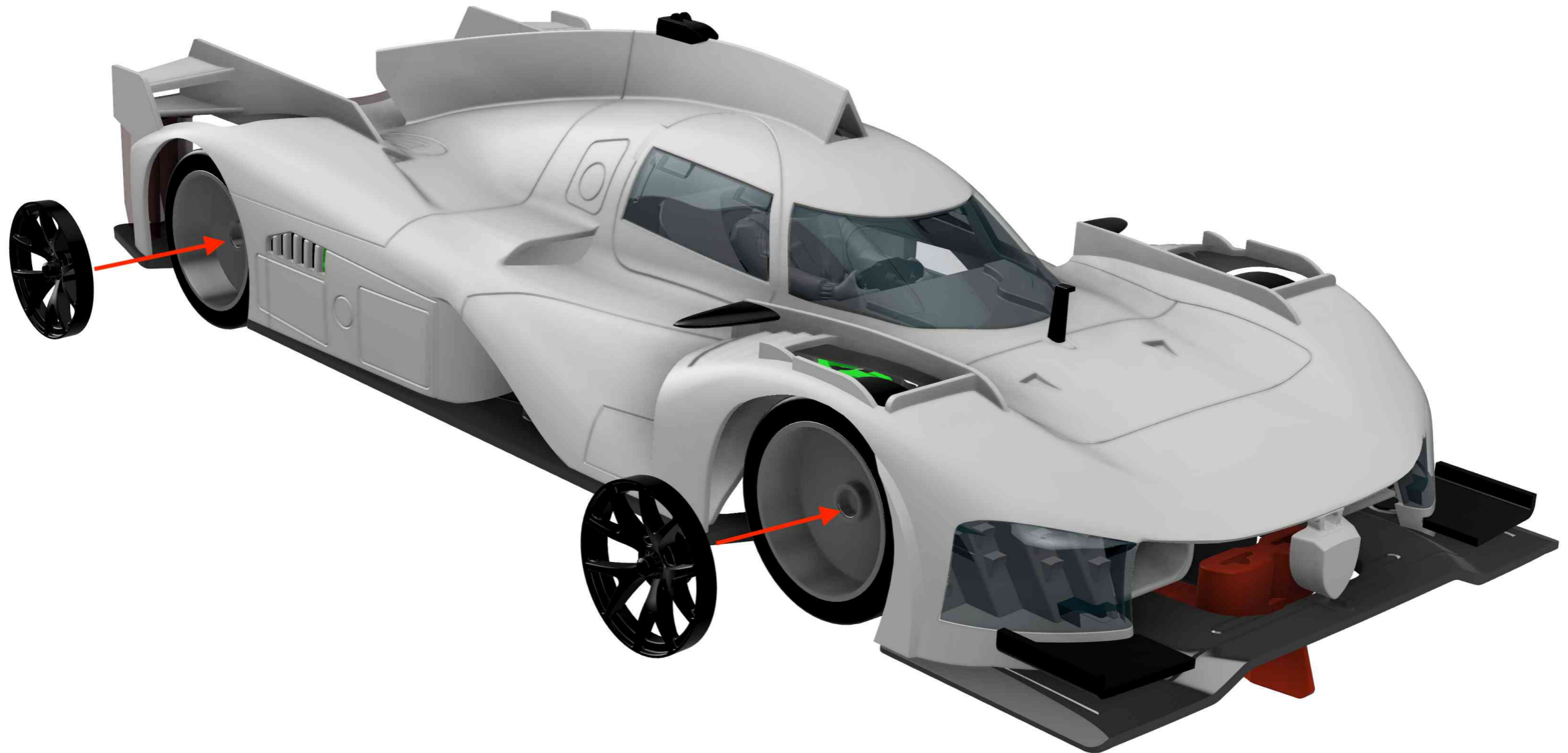
## CHASIS ASSEMBLY





# PEUGEOT 9X8 HYPERCAR

## CHASIS ASSEMBLY





# PEUGEOT 9X8 HYPERCAR

## CHASIS ASSEMBLY

