

## Porsche 963 GTP

# SC-6322

Complete white Racing Kit

**SC-3635**  
Reference Body



**SC-0029B**  
Sprinter 2 Jr de  
22500 Rpm. 12gr.  
(7 gr. UMS).



**SC-1650**  
Flexible  
Silicone Wire



**SC-1124B**  
Axle Stopper for 2.38mm  
Slim anodized aluminium  
for AW/SW gears M2



**SC-1359**  
Bronze spherical  
bushing 3/32 for motor



**SC-1171R**  
Polyamide Anglewinder Gear  
31th M50 for 2.38mm axle  
dial 17mm. M2,5 screw.



**SC-5138**  
Body Screws 6mm



**SC-5137**  
Set Screws  
M2.5x3mm



**SC-1652**  
Guide set  
screw



**SC-1630**  
Braid Thinned 3.2x0.35mm



**SC-1608B**  
Low Profile  
advanced  
guide set



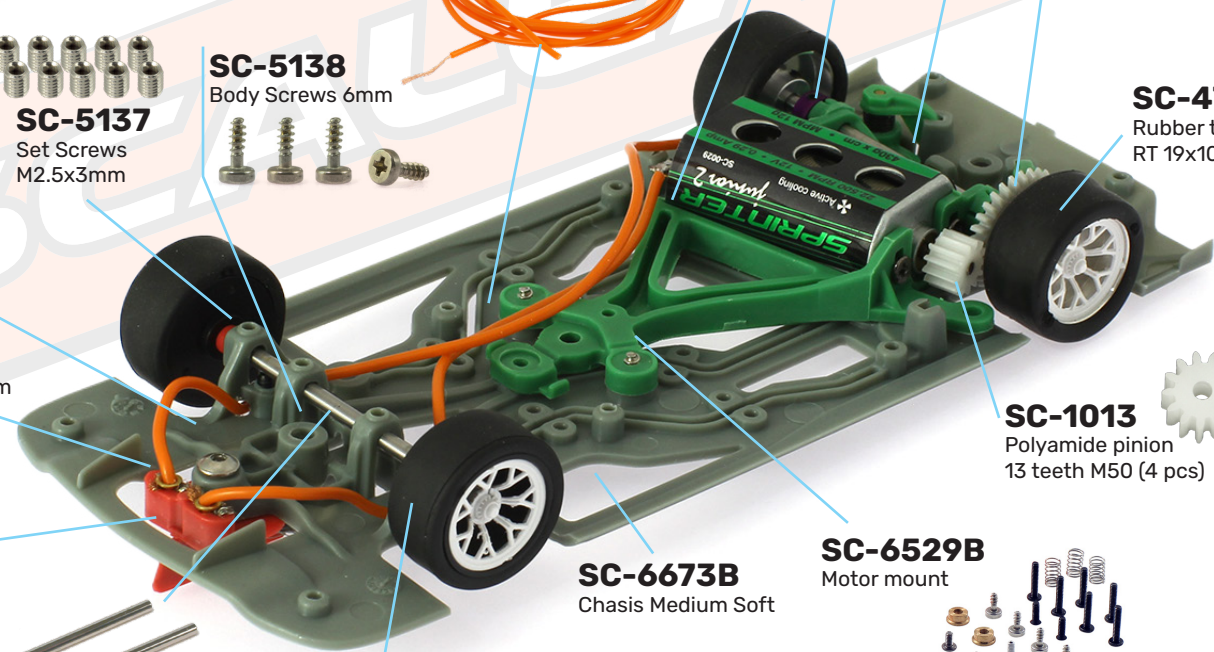
**SC-1211**  
2.38mm x 55mm  
rectified Steel Axle



**SC-4734**  
Rubber tyre  
Standard RT  
18x9mm.



**SC-6673B**  
Chasis Medium Soft



**SC-4735**  
Rubber tyre  
RT 19x10,5mm



**SC-1013**  
Polyamide pinion  
13 teeth M50 (4 pcs)



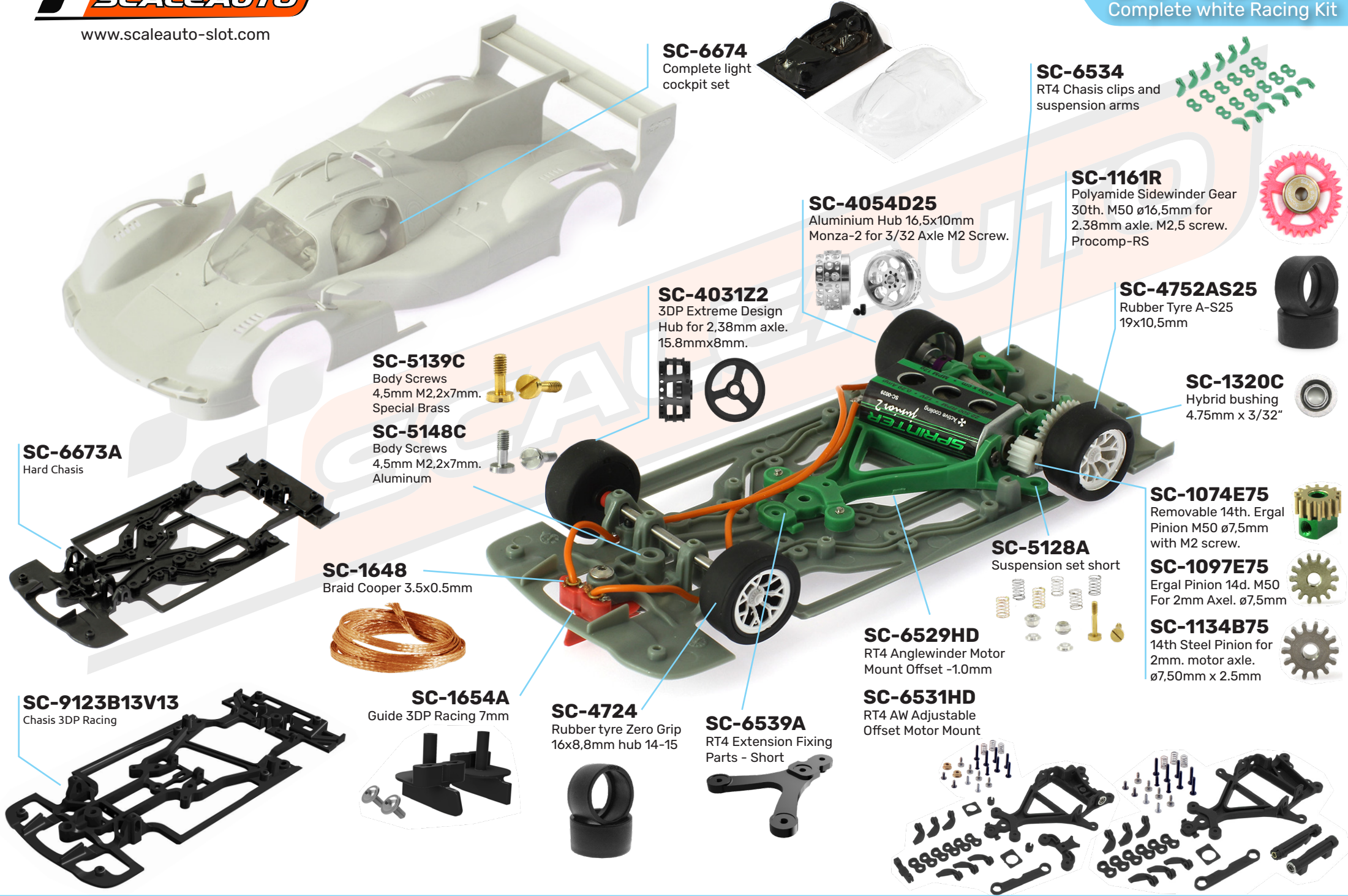
**SC-6529B**  
Motor mount



# Porsche 963 GTP \*OPTIONAL

# SC-6322

Complete white Racing Kit



**SC-6674**

Complete light cockpit set



**SC-6534**

RT4 Chasis clips and suspension arms



**SC-1161R**

Polyamide Sidewinder Gear 30th. M50 ø16,5mm for 2.38mm axle. M2,5 screw. Procomp-RS



**SC-4054D25**

Aluminium Hub 16,5x10mm Monza-2 for 3/32 Axle M2 Screw.



**SC-4031Z2**

3DP Extreme Design Hub for 2,38mm axle. 15.8mmx8mm.



**SC-4752AS25**

Rubber Tyre A-S25 19x10,5mm



**SC-1320C**

Hybrid bushing 4.75mm x 3/32"



**SC-5139C**

Body Screws 4,5mm M2,2x7mm. Special Brass



**SC-5148C**

Body Screws 4,5mm M2,2x7mm. Aluminum



**SC-6673A**

Hard Chasis



**SC-9123B13V13**

Chasis 3DP Racing



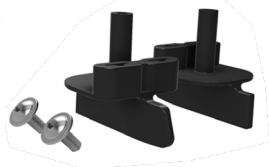
**SC-1648**

Braid Cooper 3.5x0.5mm



**SC-1654A**

Guide 3DP Racing 7mm



**SC-4724**

Rubber tyre Zero Grip 16x8,8mm hub 14-15



**SC-6539A**

RT4 Extension Fixing Parts - Short



**SC-5128A**

Suspension set short



**SC-6529HD**

RT4 Anglewinder Motor Mount Offset -1.0mm

**SC-6531HD**

RT4 AW Adjustable Offset Motor Mount



**SC-1074E75**

Removable 14th. Ergal Pinion M50 ø7,5mm with M2 screw.



**SC-1097E75**

Ergal Pinion 14d. M50 For 2mm Axel. ø7,5mm



**SC-1134B75**

14th Steel Pinion for 2mm. motor axle. ø7,50mm x 2.5mm

