



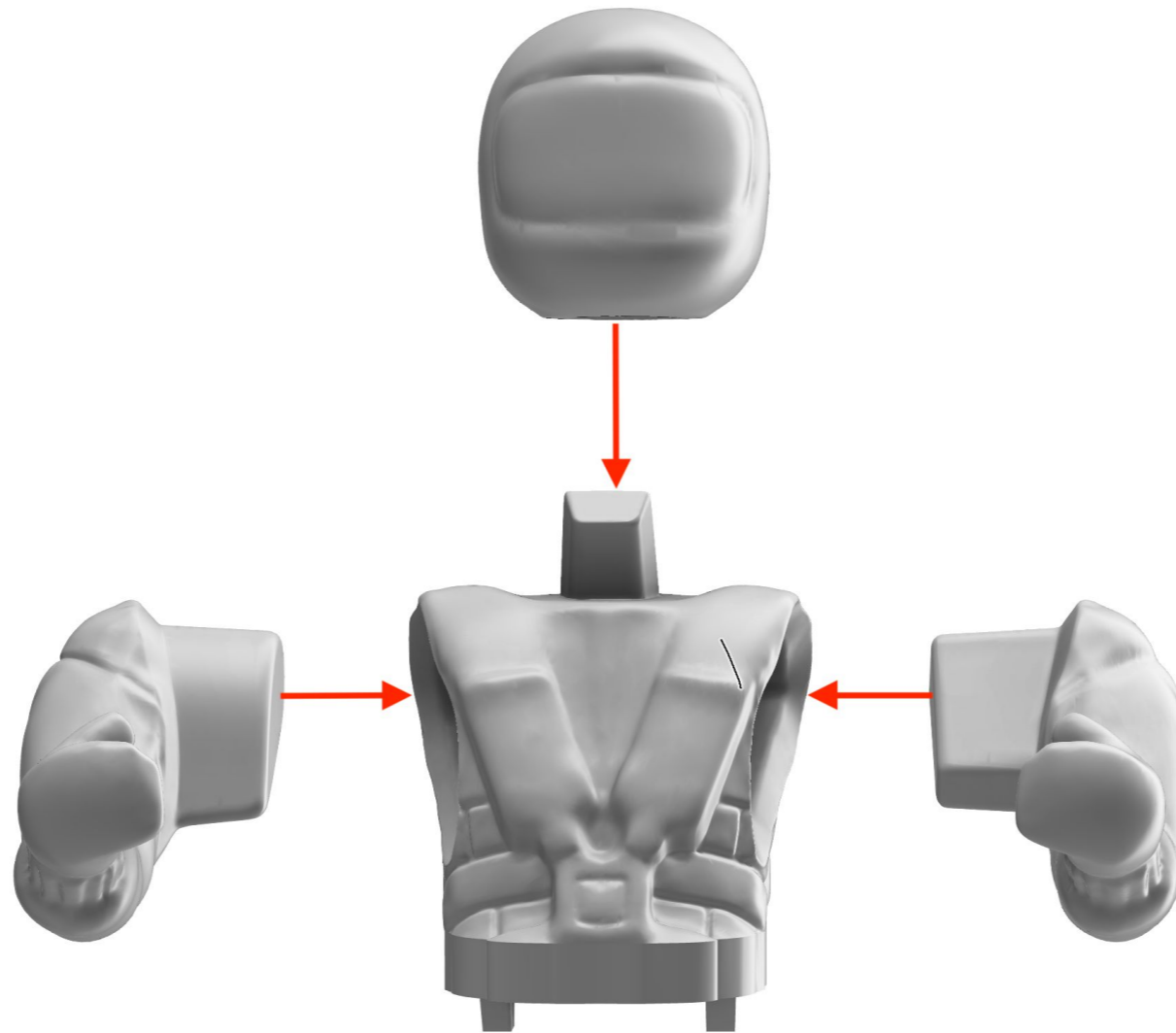
BMW M6 GT3 1/24





BMW M6 GT3 1/24

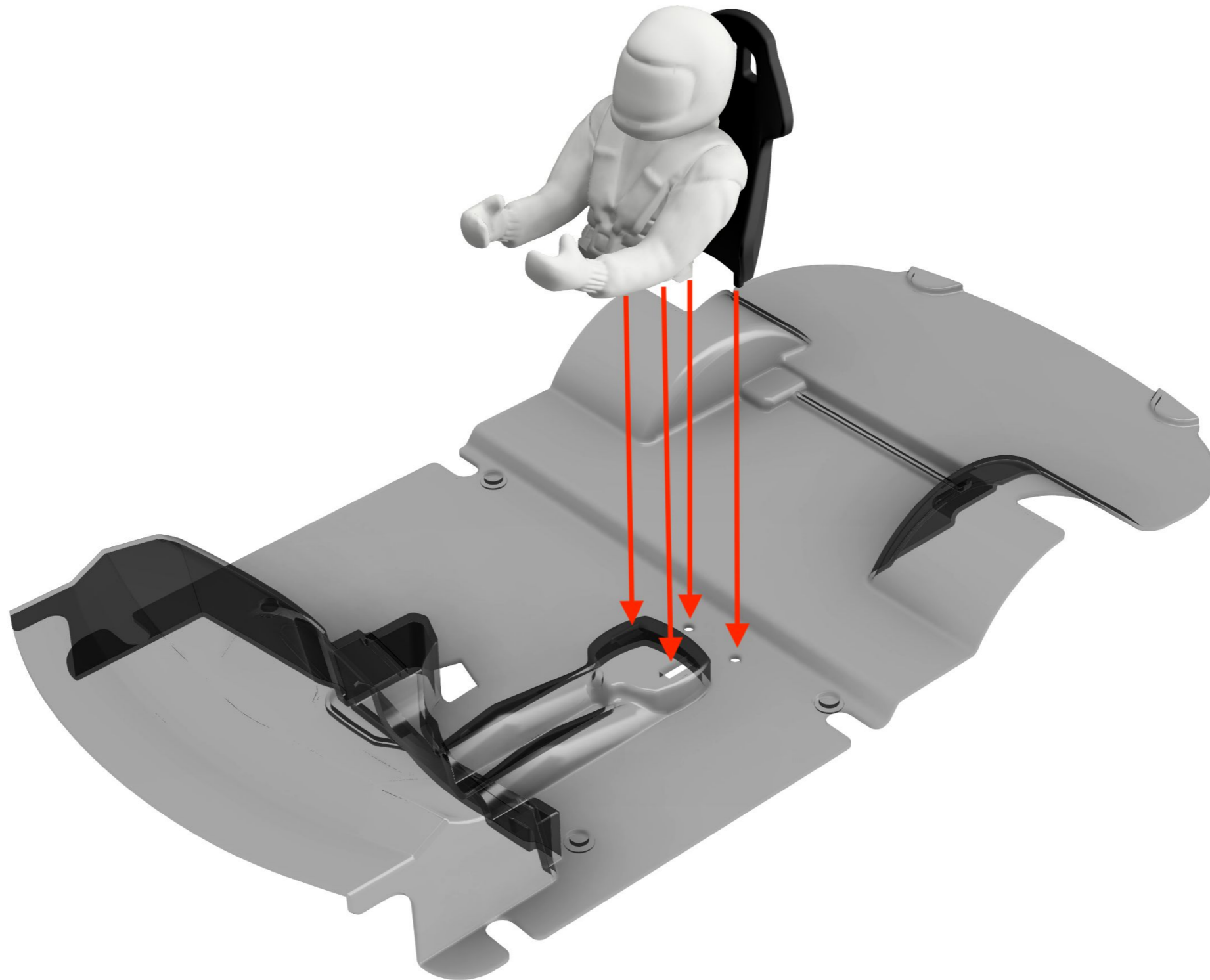
COCKPIT ASSEMBLY





BMW M6 GT3 1/24

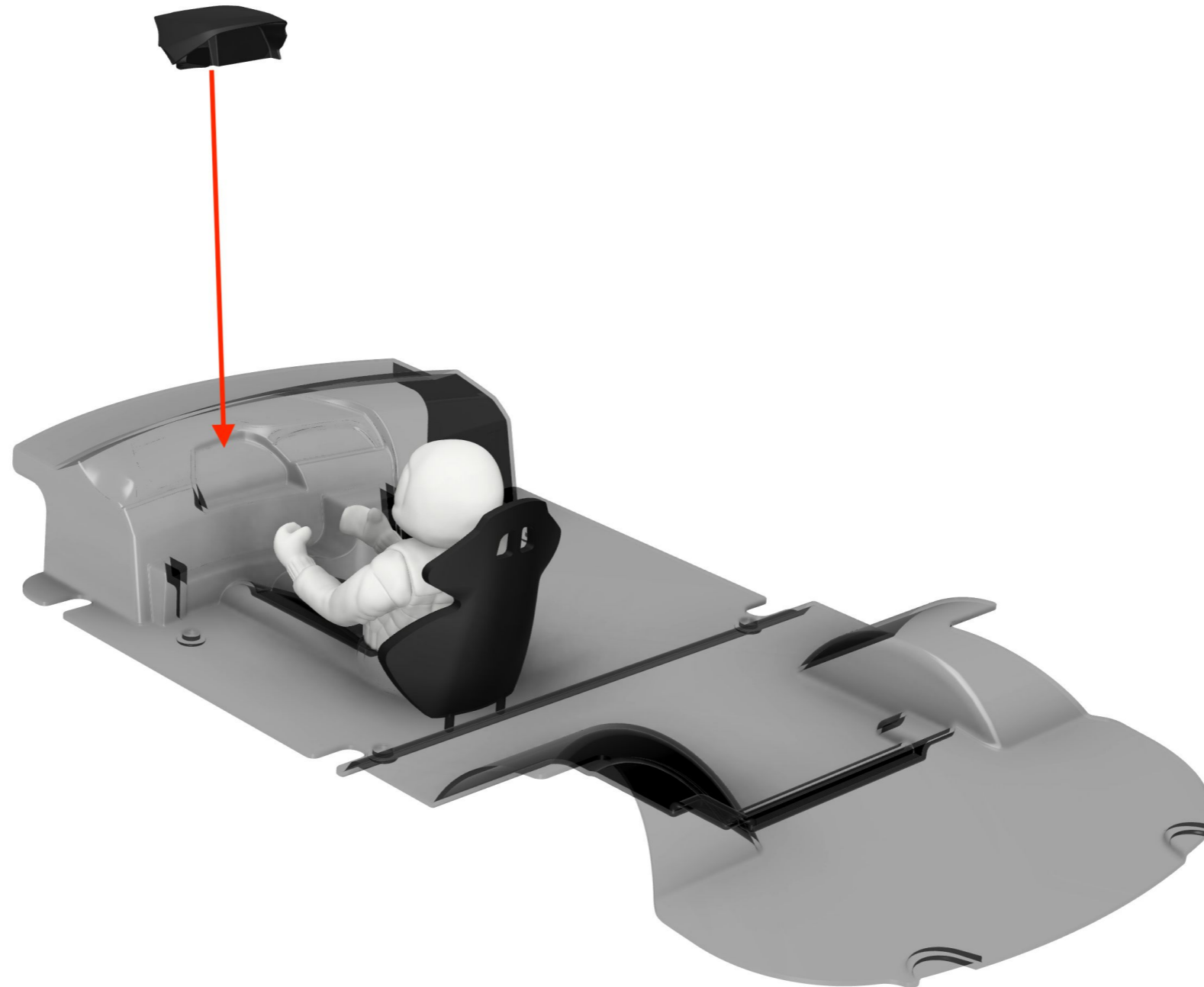
COCKPIT ASSEMBLY





BMW M6 GT3 1/24

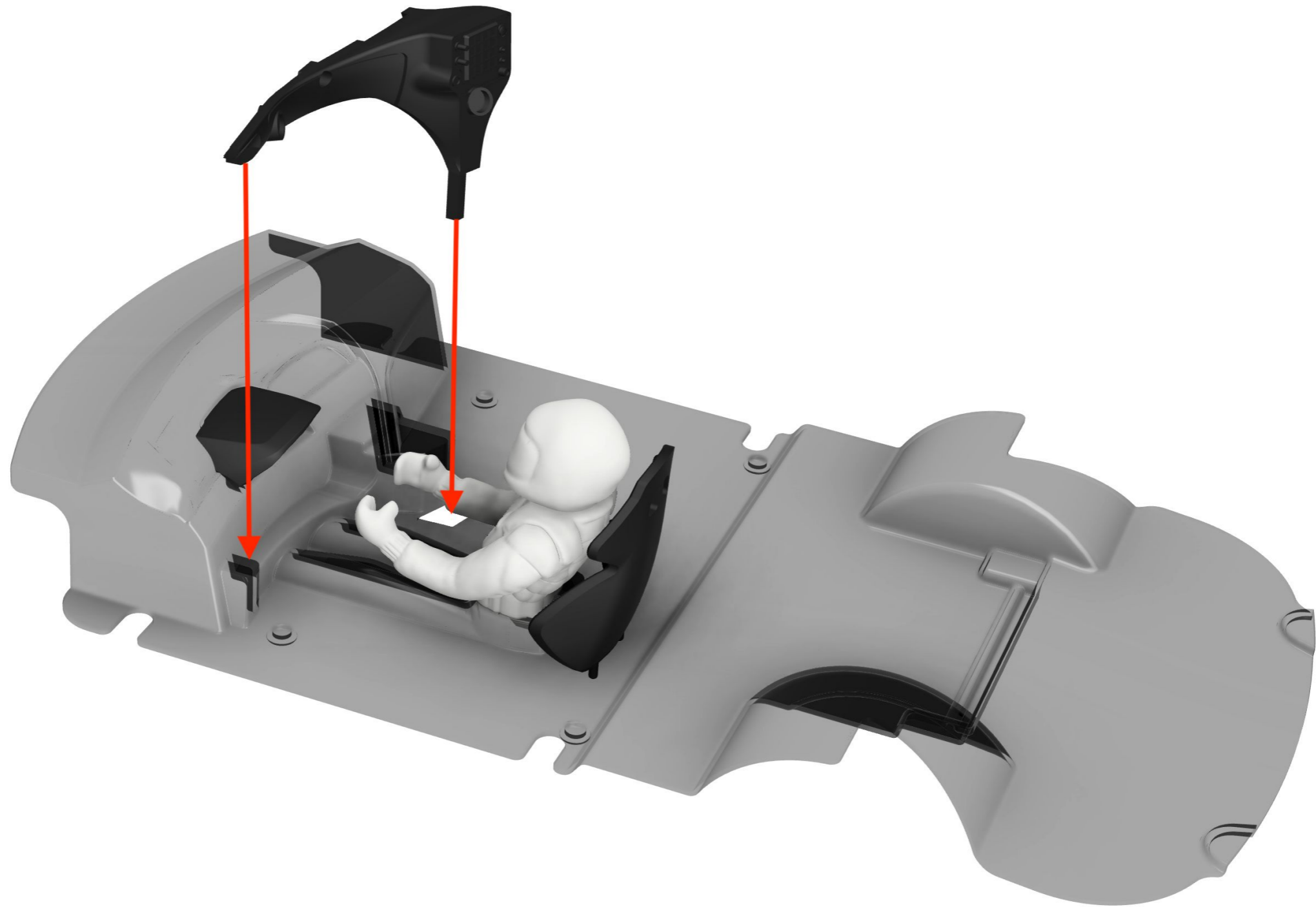
COCKPIT ASSEMBLY





BMW M6 GT3 1/24

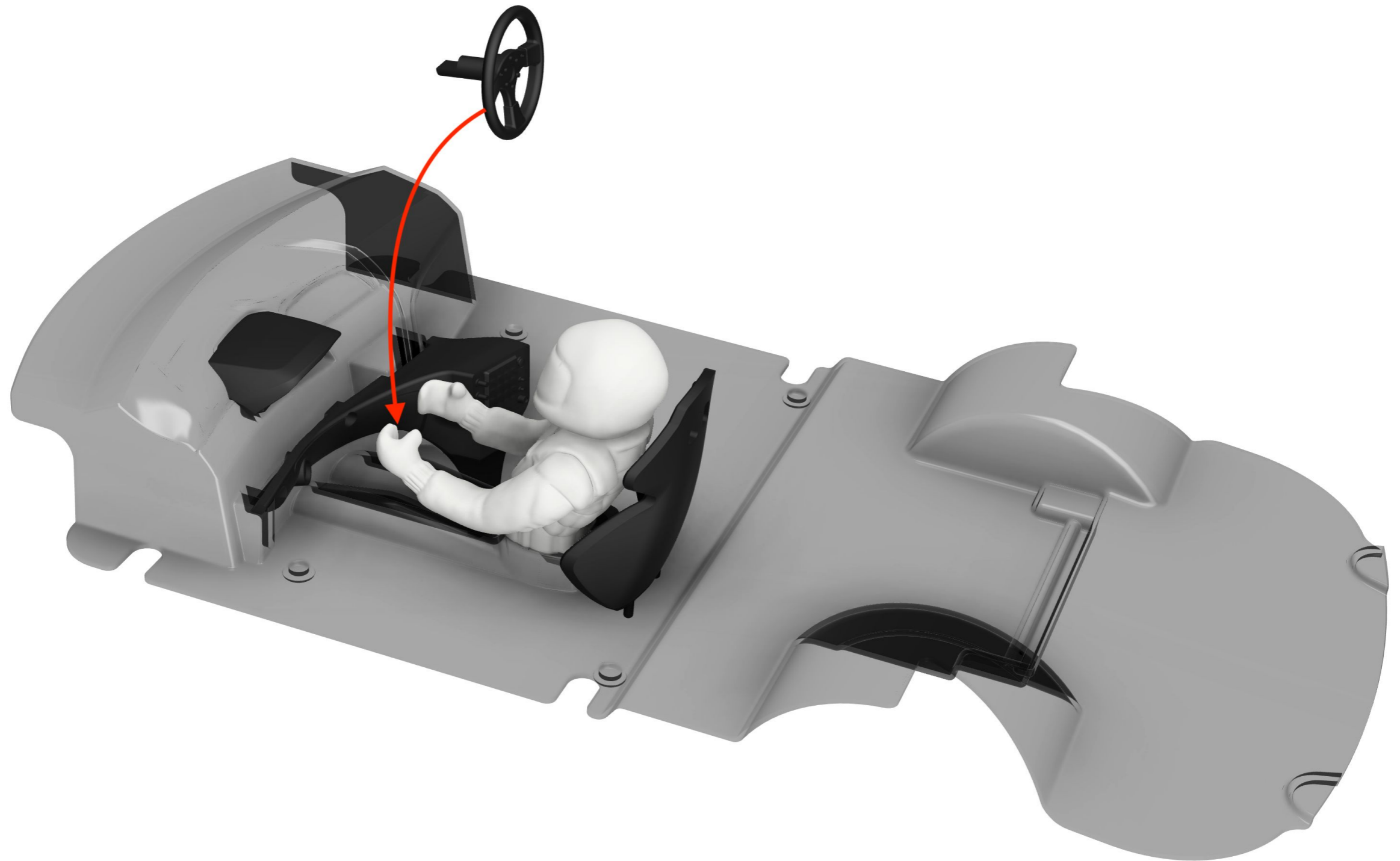
COCKPIT ASSEMBLY



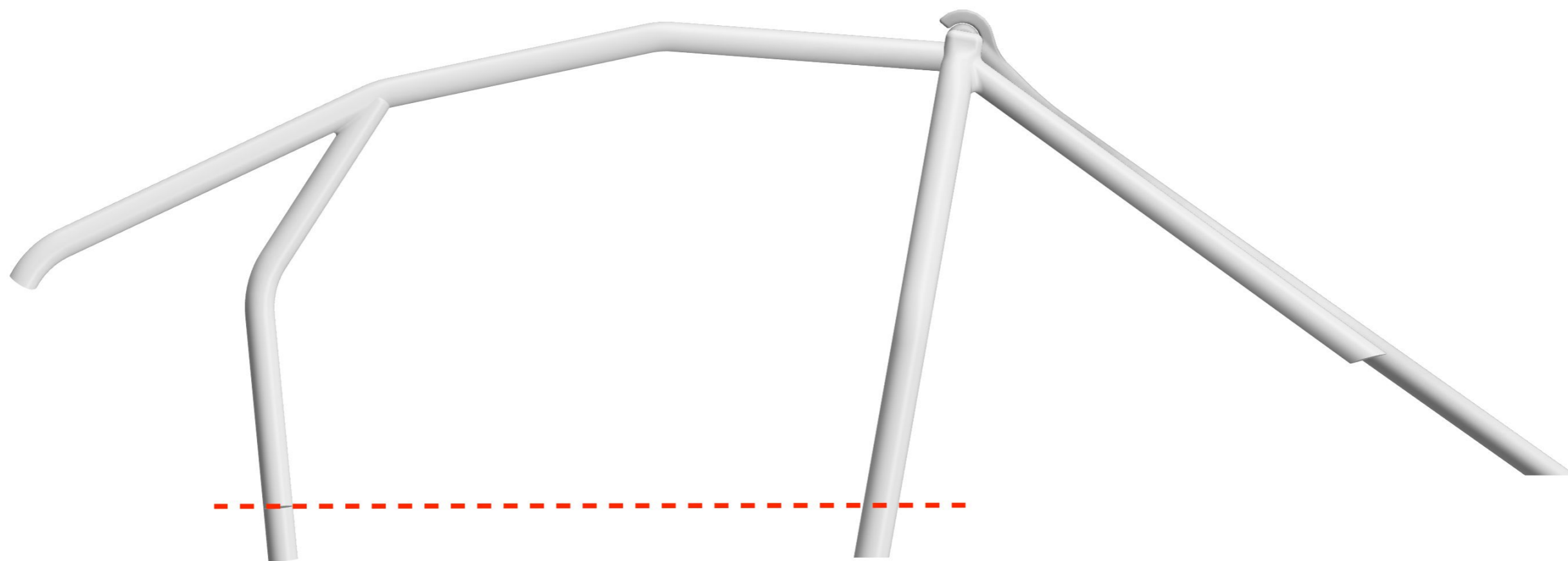


BMW M6 GT3 1/24

COCKPIT ASSEMBLY



COCKPIT ASSEMBLY



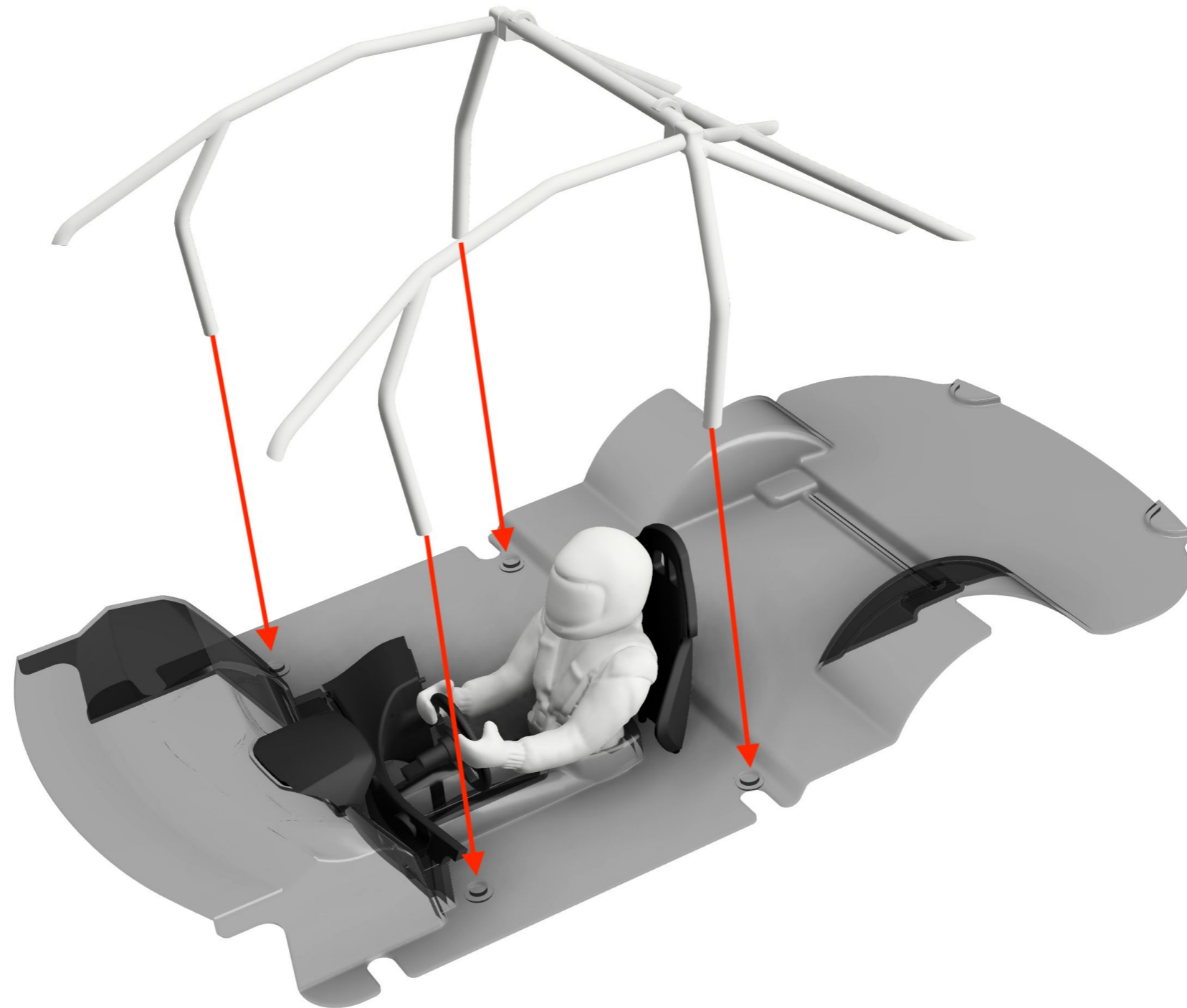
Para un ajuste perfecto se deben cortar unos 3mm

For a perfect fit should be trimmed about 3mm



BMW M6 GT3 1/24

COCKPIT ASSEMBLY

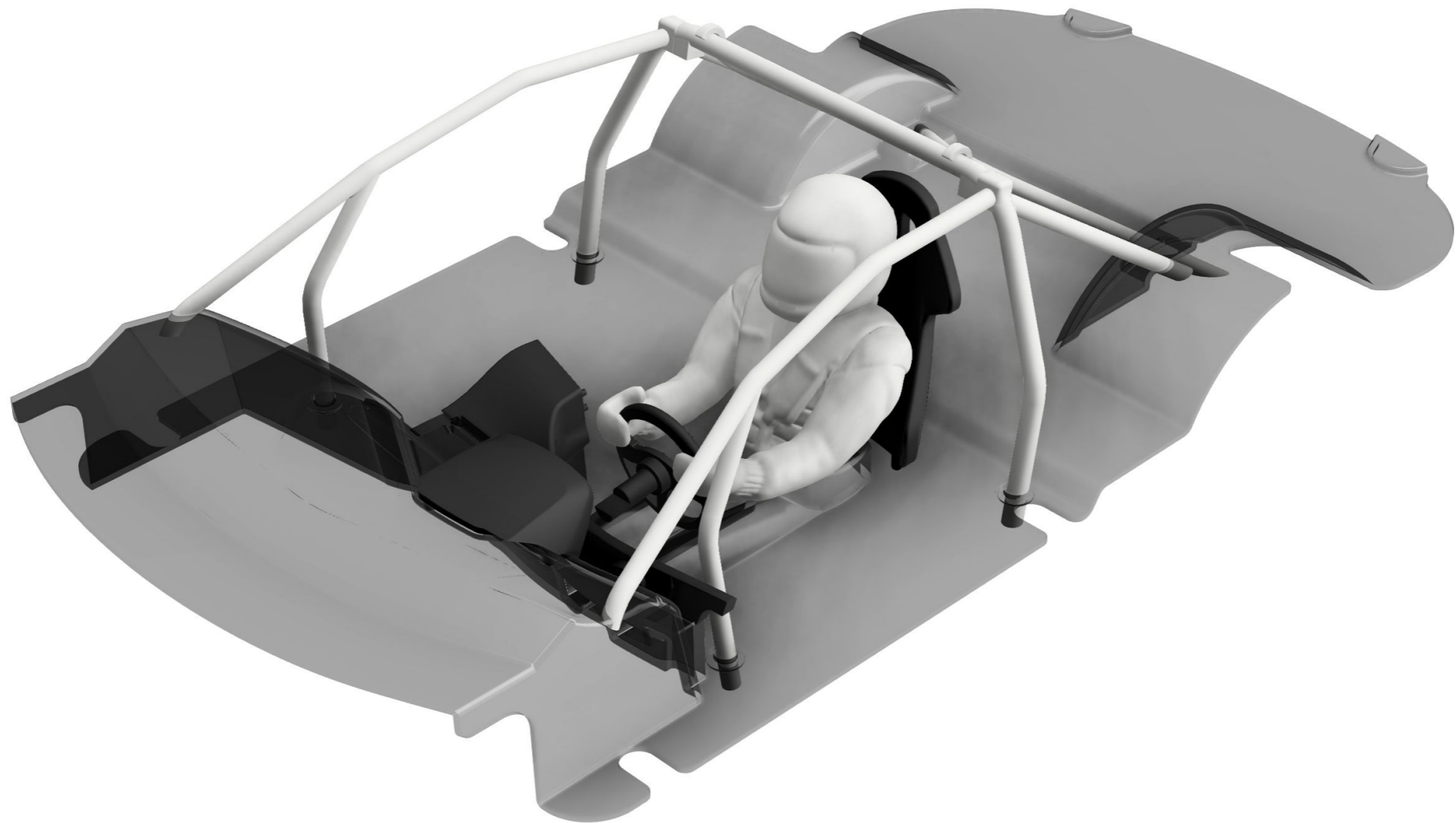




BMW M6 GT3 1/24

COCKPIT ASSEMBLY

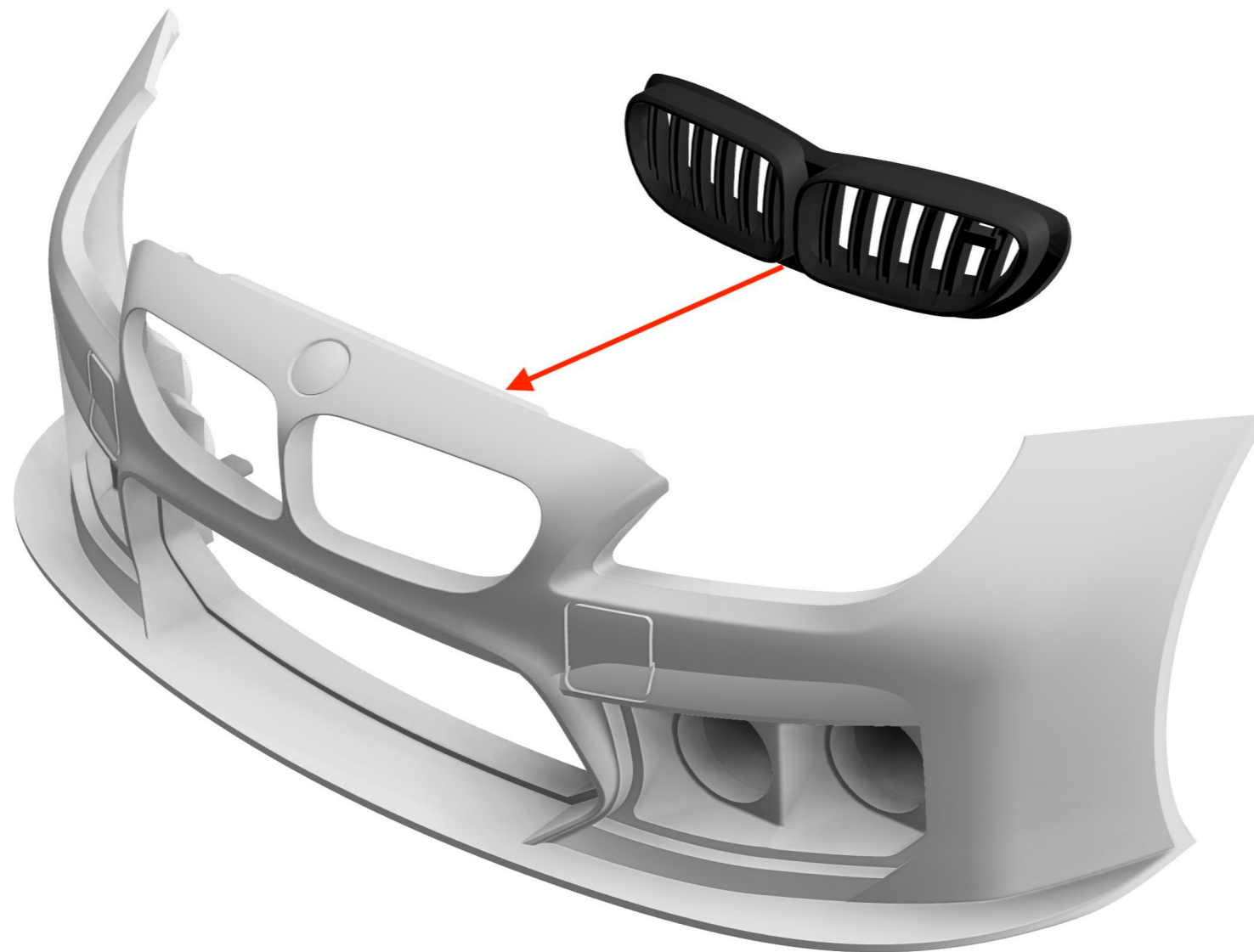
FINAL RESULT





BMW M6 GT3 1/24

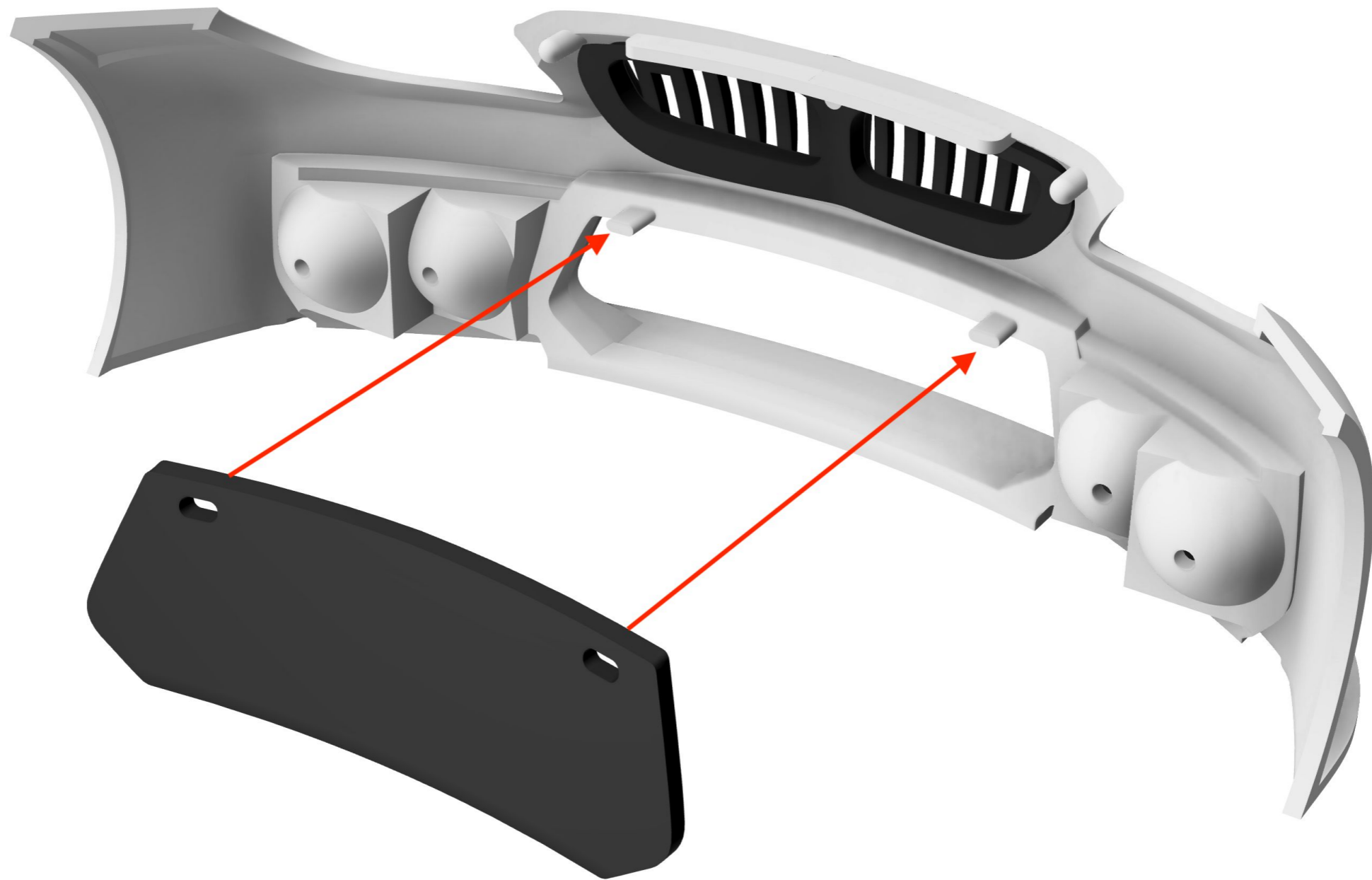
BODY ASSEMBLY





BMW M6 GT3 1/24

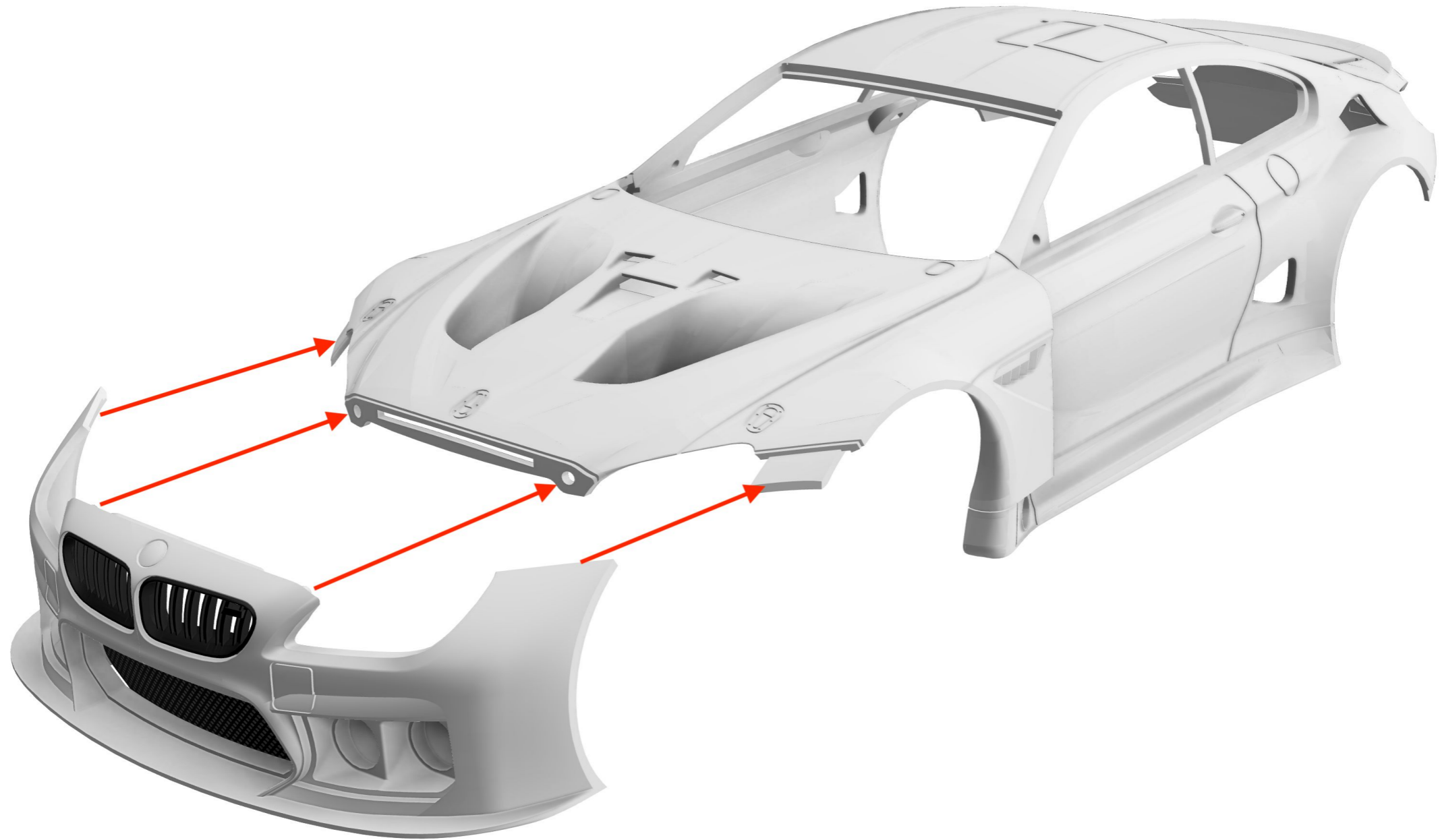
BODY ASSEMBLY





BMW M6 GT3 1/24

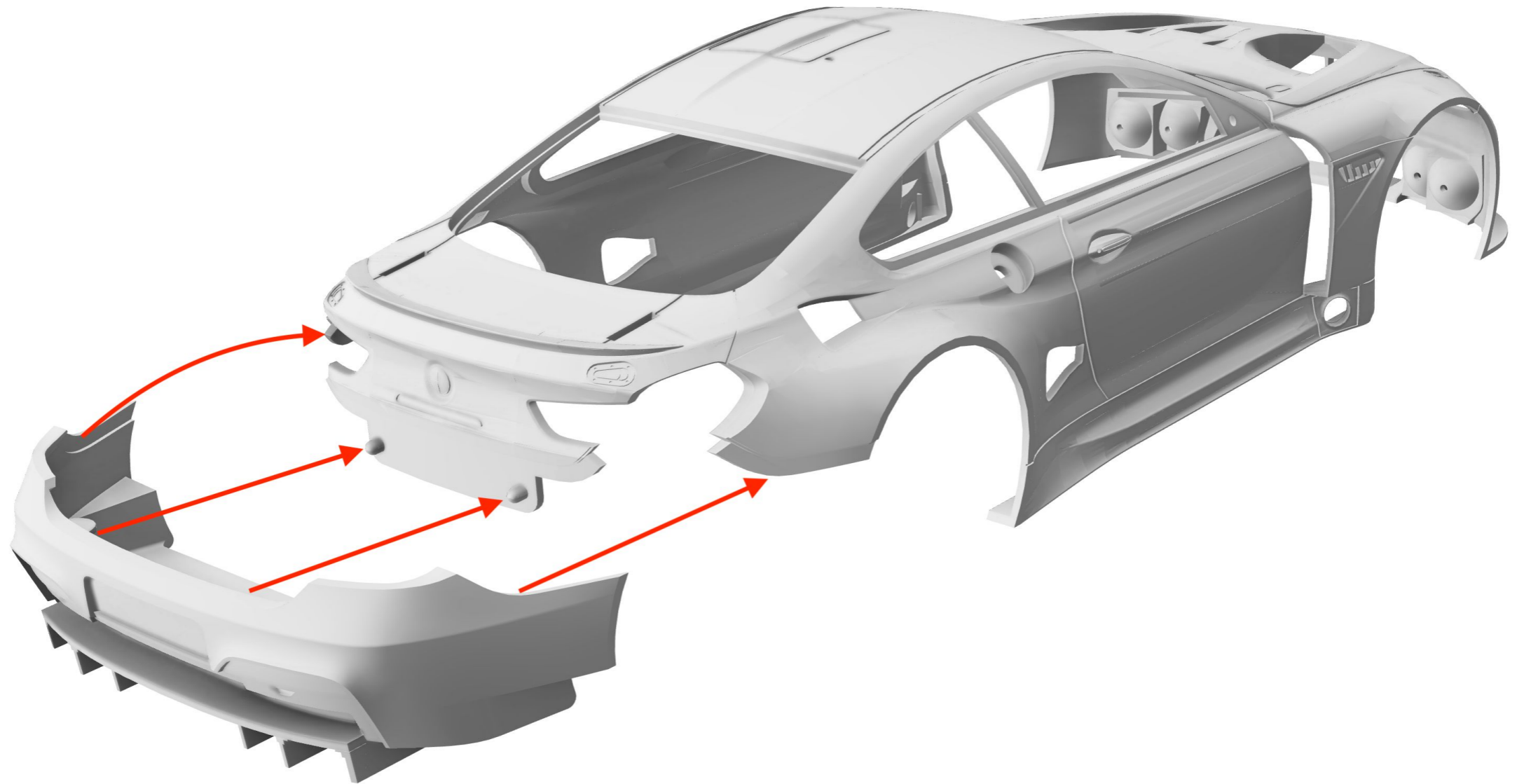
BODY ASSEMBLY





BMW M6 GT3 1/24

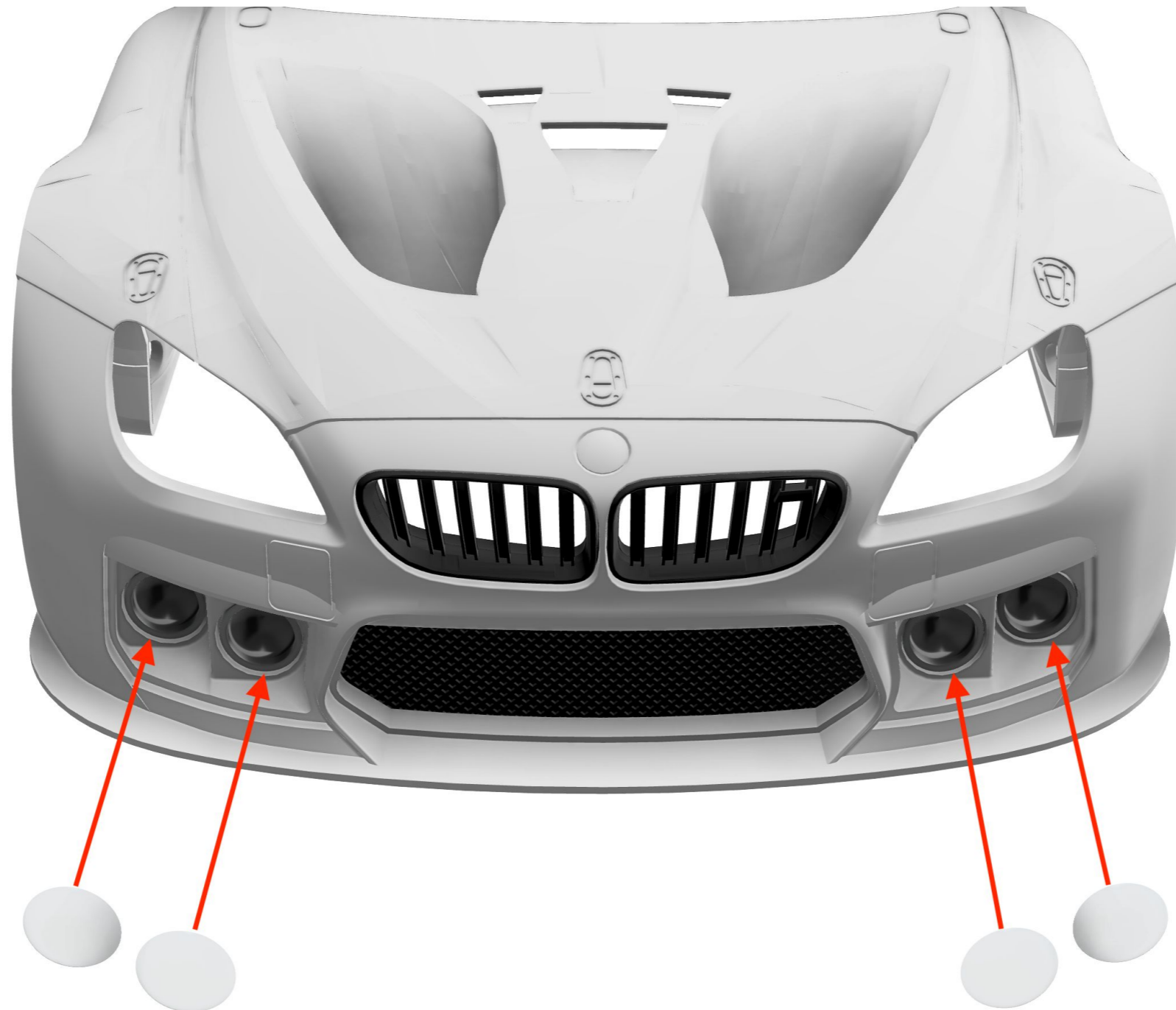
BODY ASSEMBLY



BODY ASSEMBLY



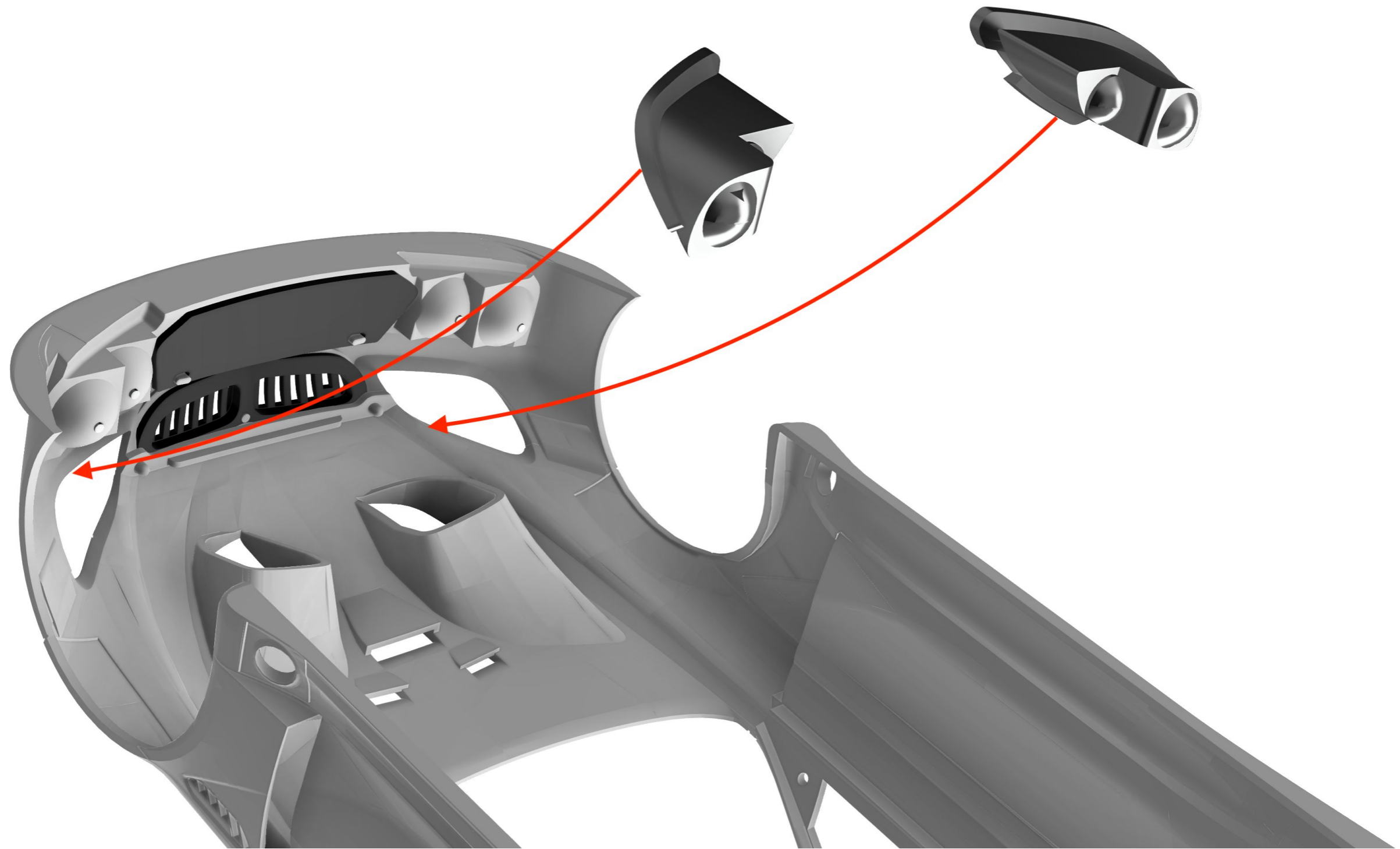
BODY ASSEMBLY





BMW M6 GT3 1/24

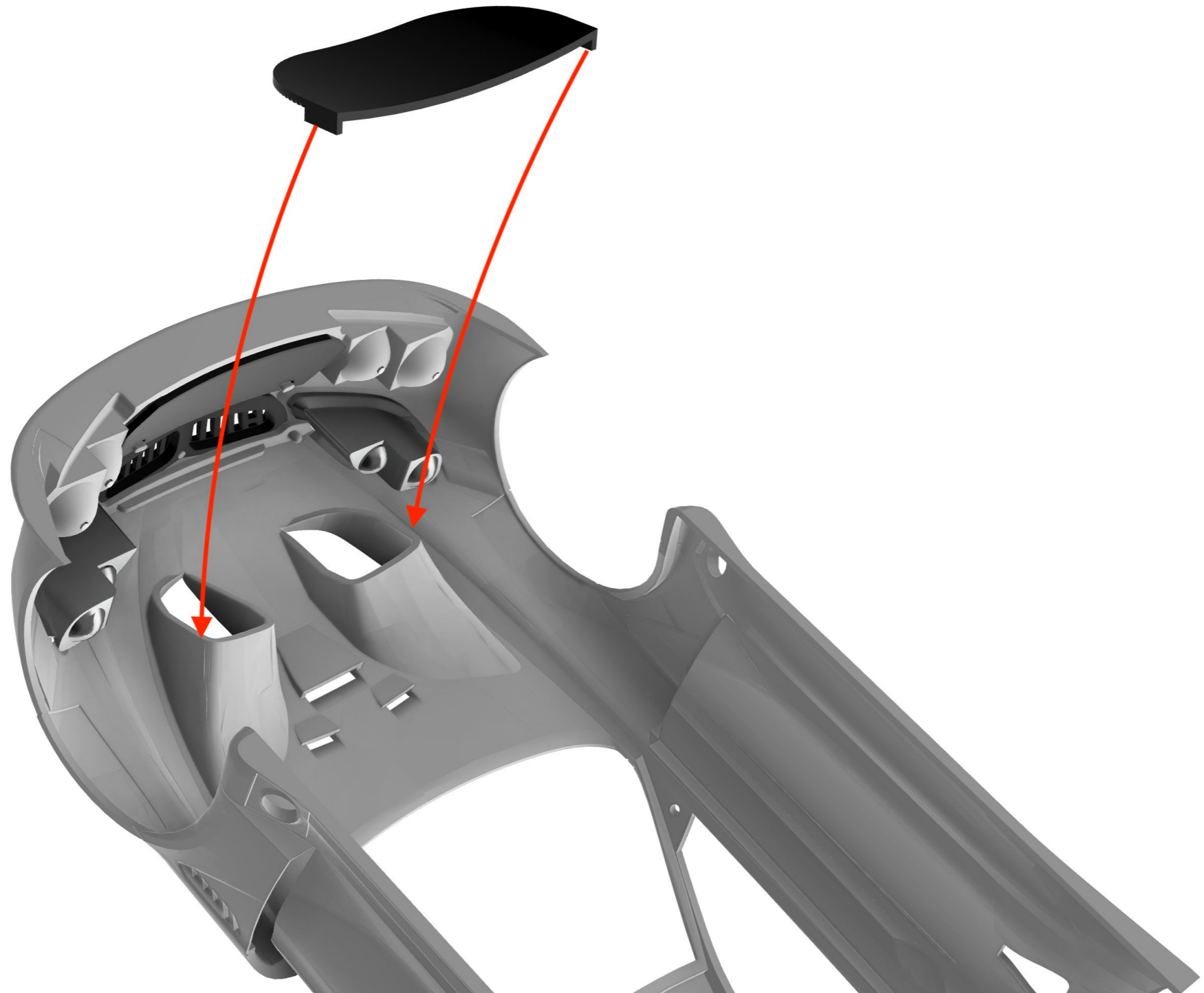
BODY ASSEMBLY



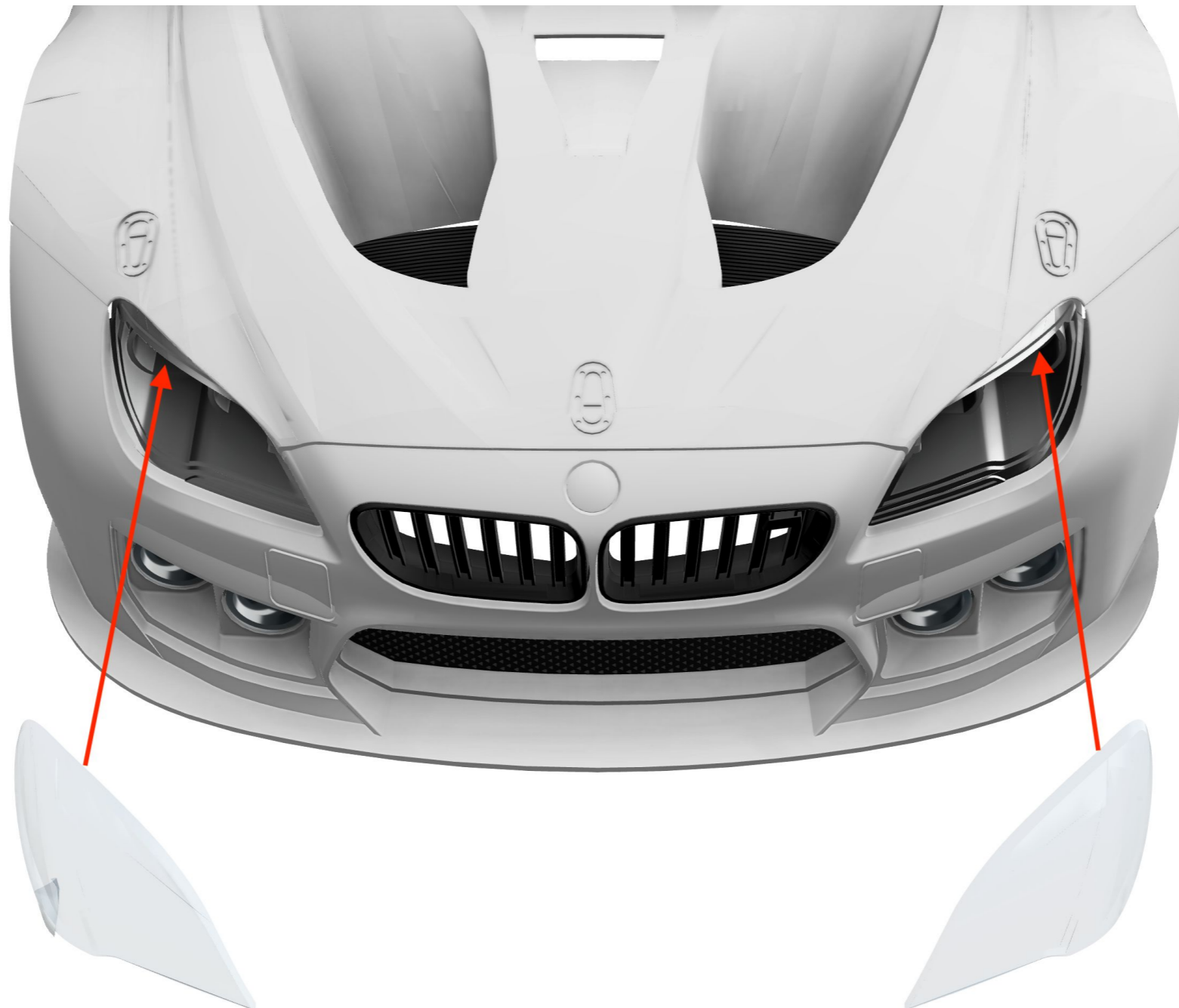


BMW M6 GT3 1/24

BODY ASSEMBLY



BODY ASSEMBLY



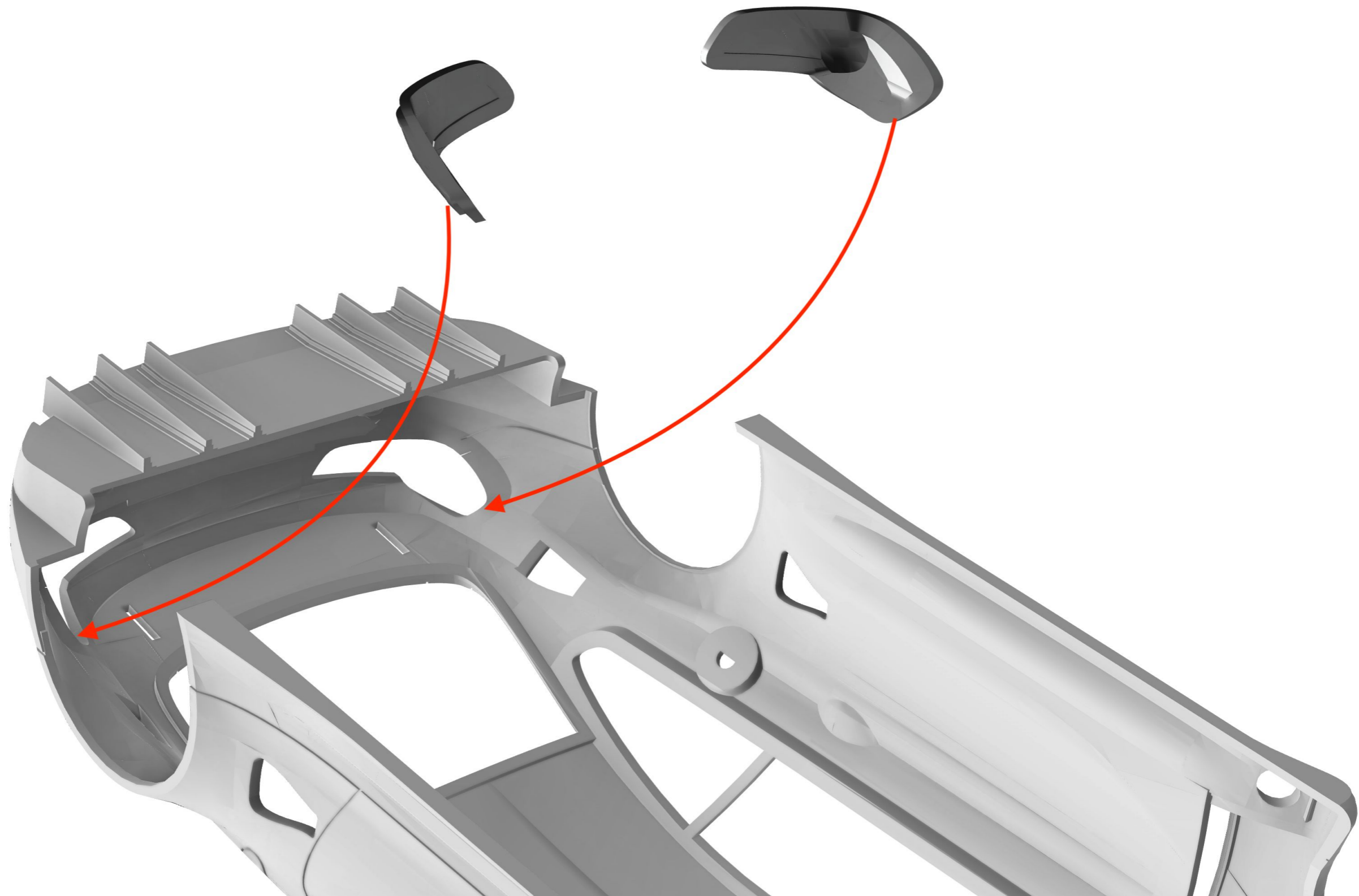
BODY ASSEMBLY



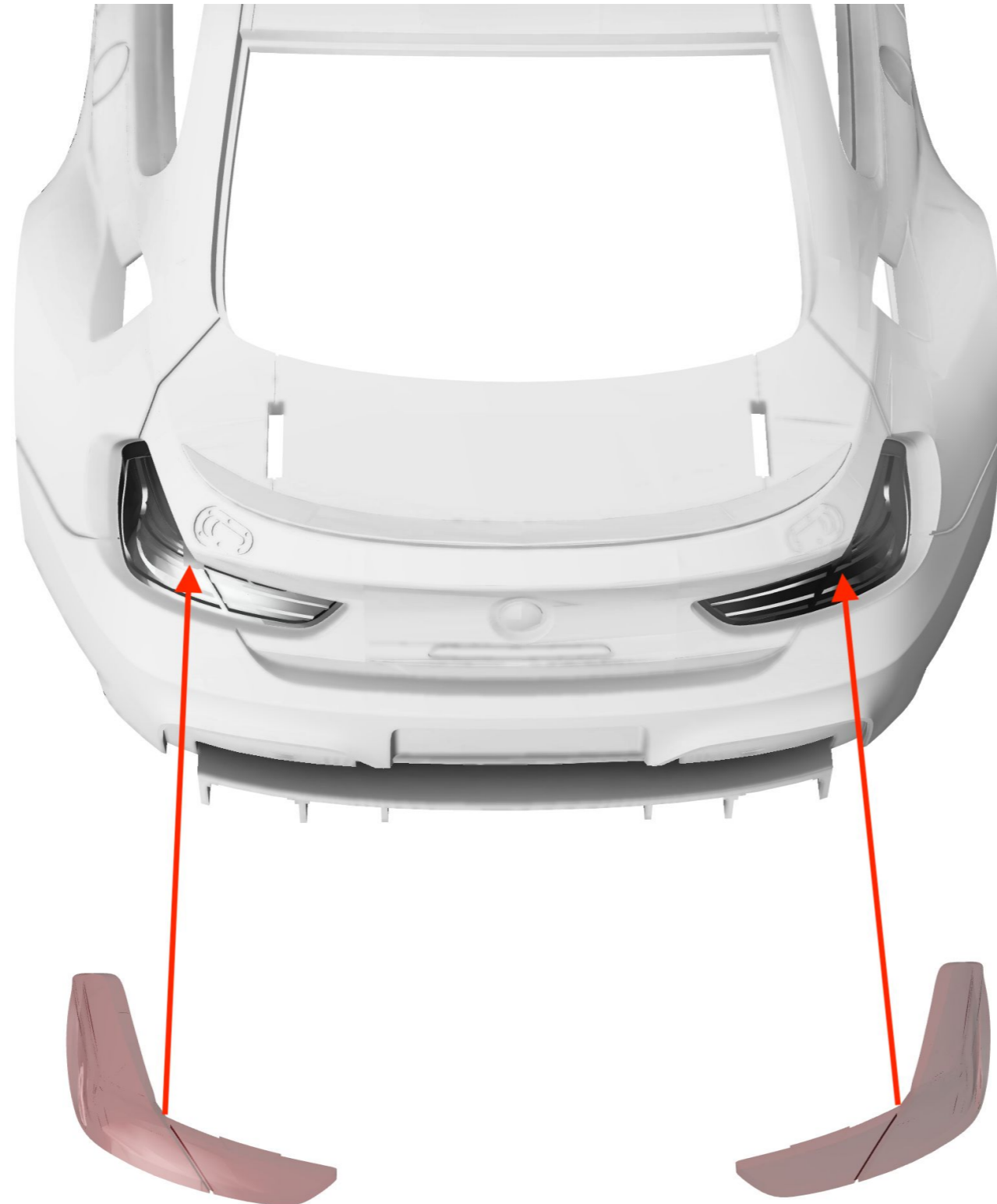


BMW M6 GT3 1/24

BODY ASSEMBLY



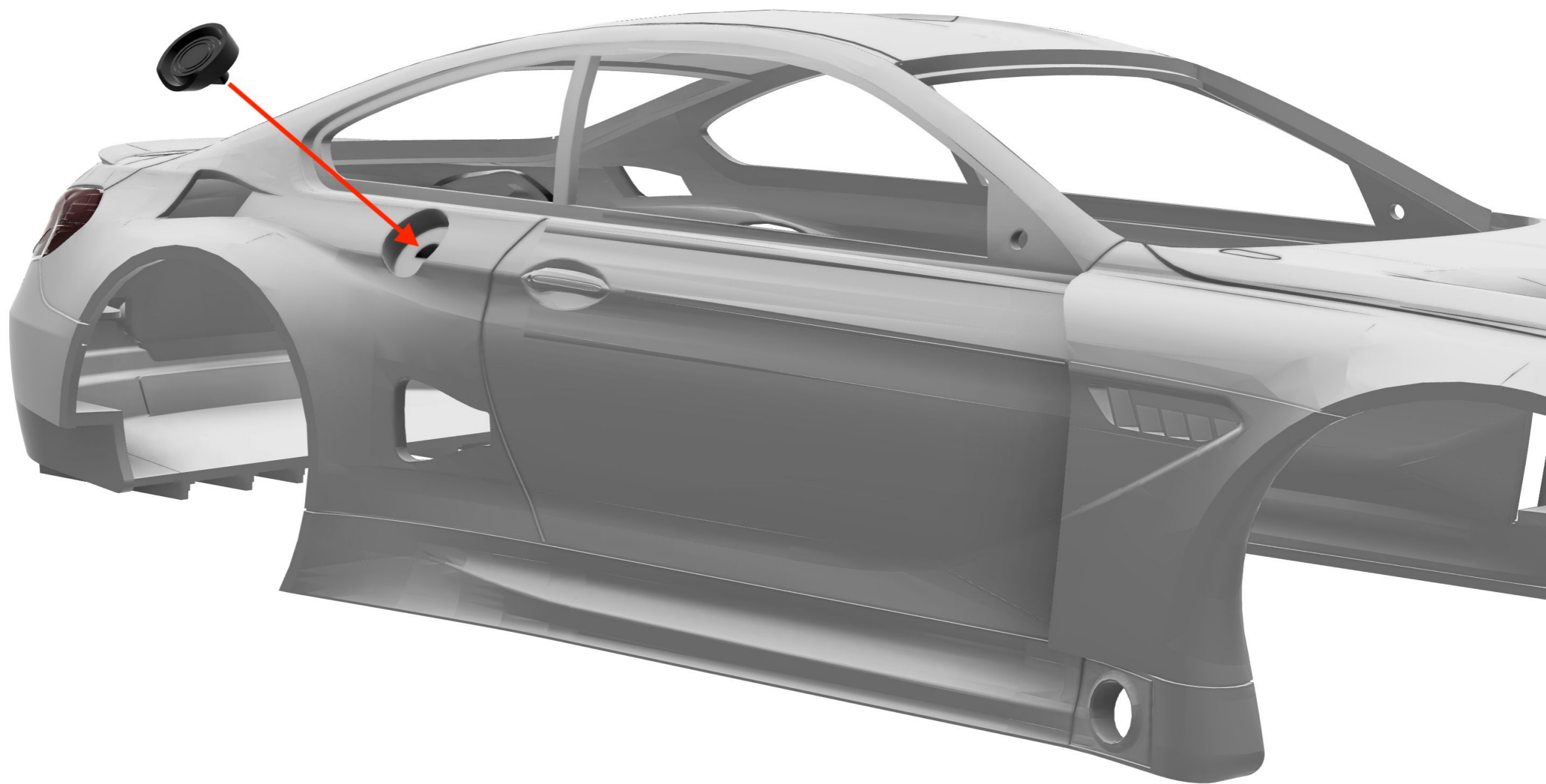
BODY ASSEMBLY





BMW M6 GT3 1/24

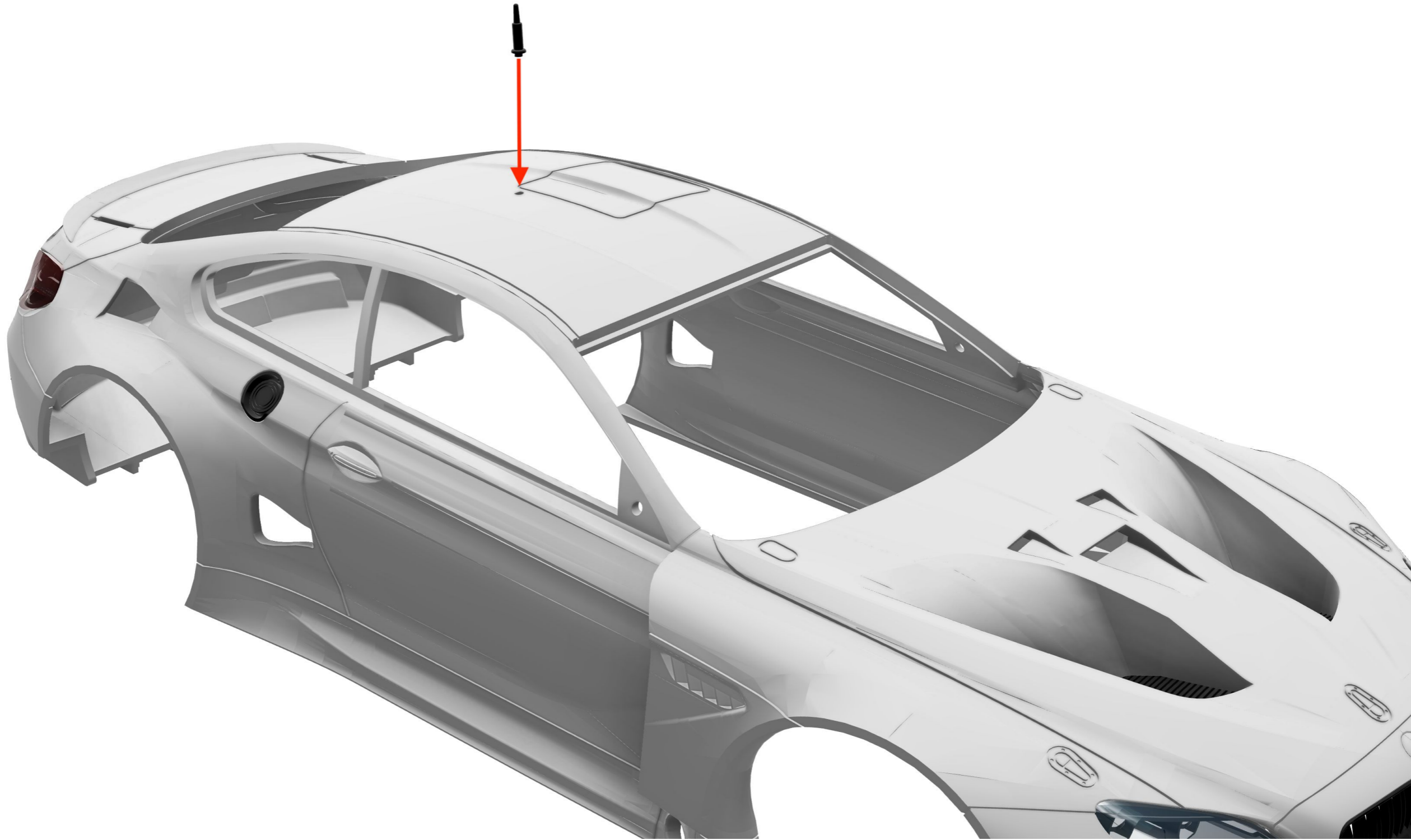
BODY ASSEMBLY





BMW M6 GT3 1/24

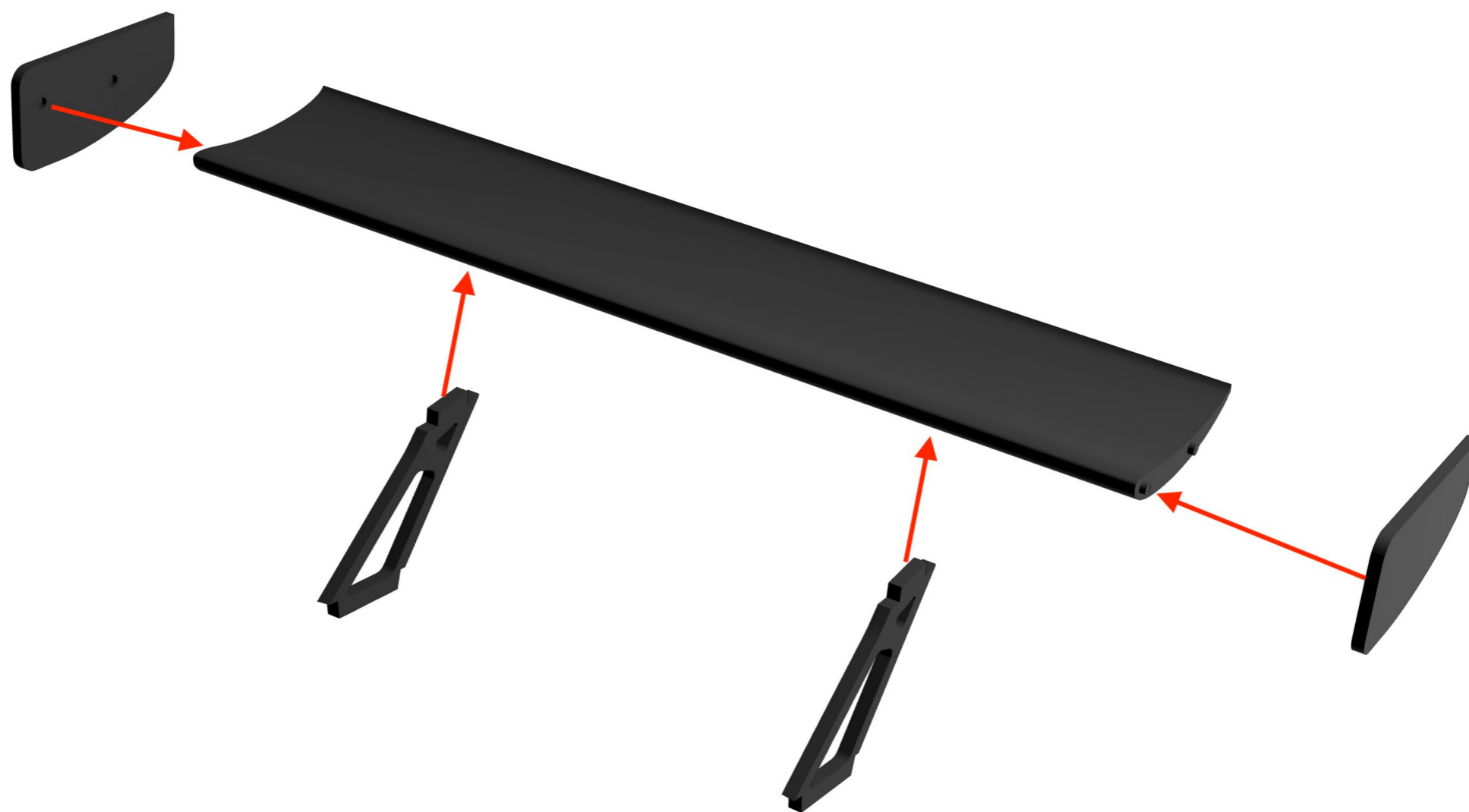
BODY ASSEMBLY





BMW M6 GT3 1/24

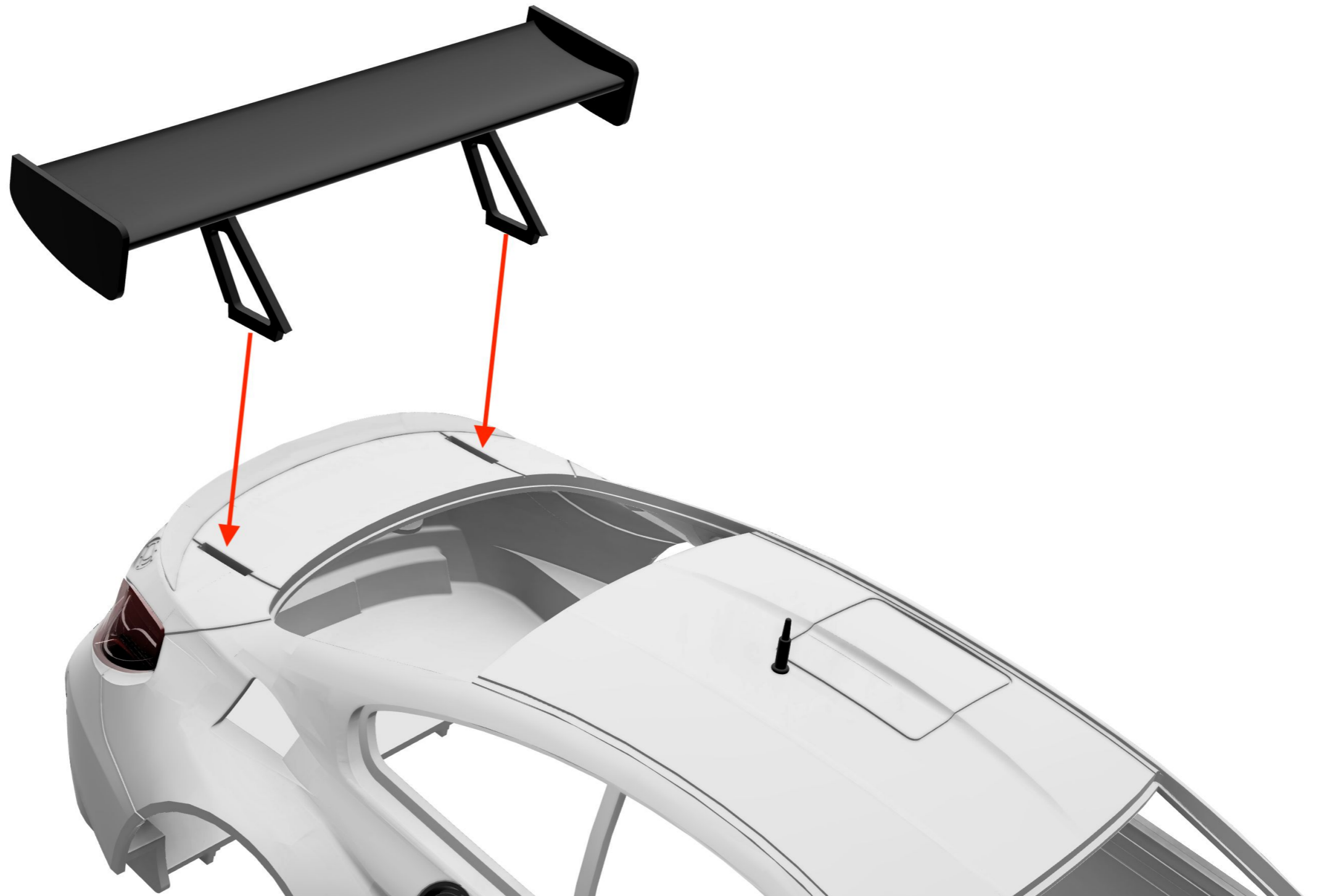
BODY ASSEMBLY





BMW M6 GT3 1/24

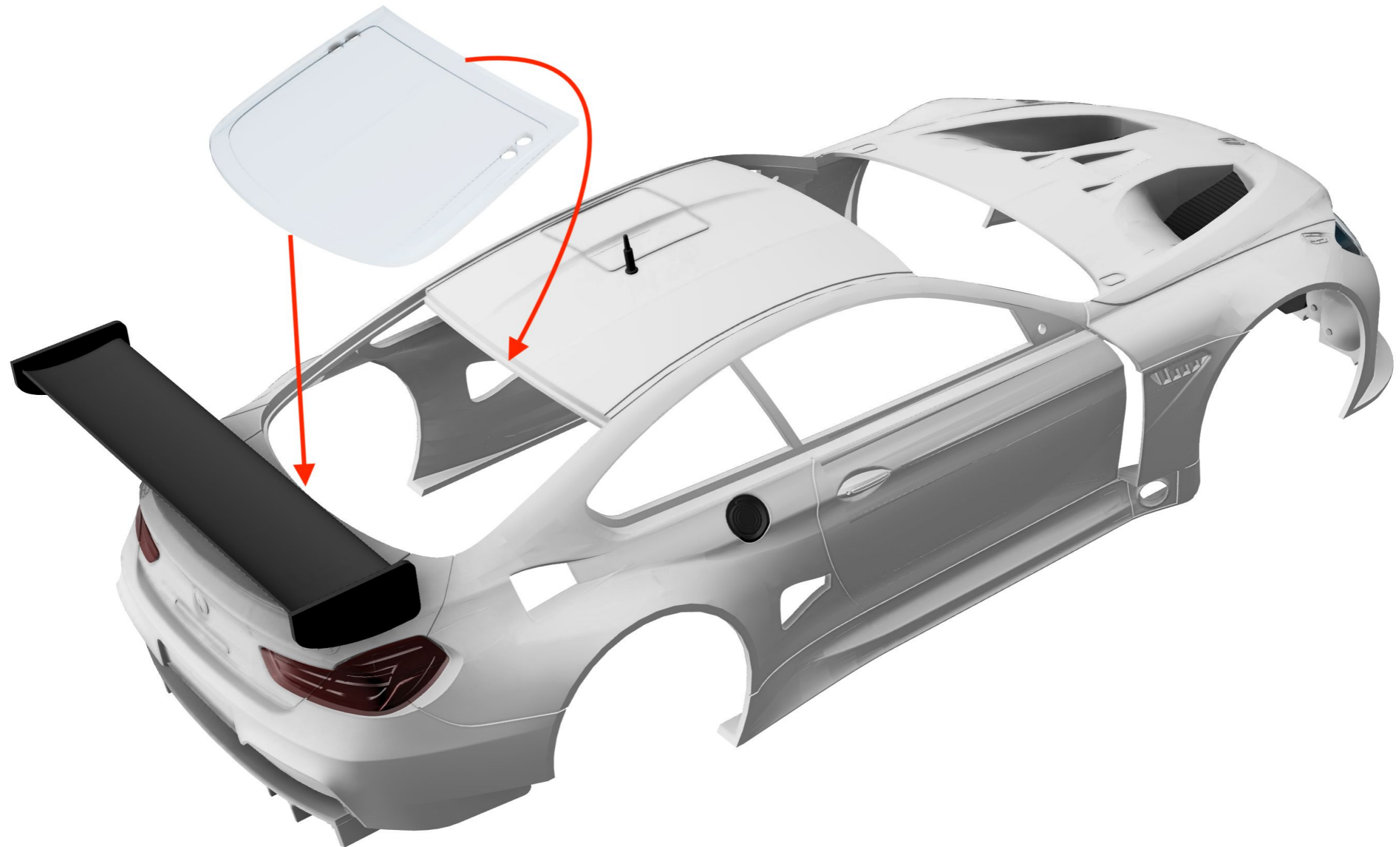
BODY ASSEMBLY





BMW M6 GT3 1/24

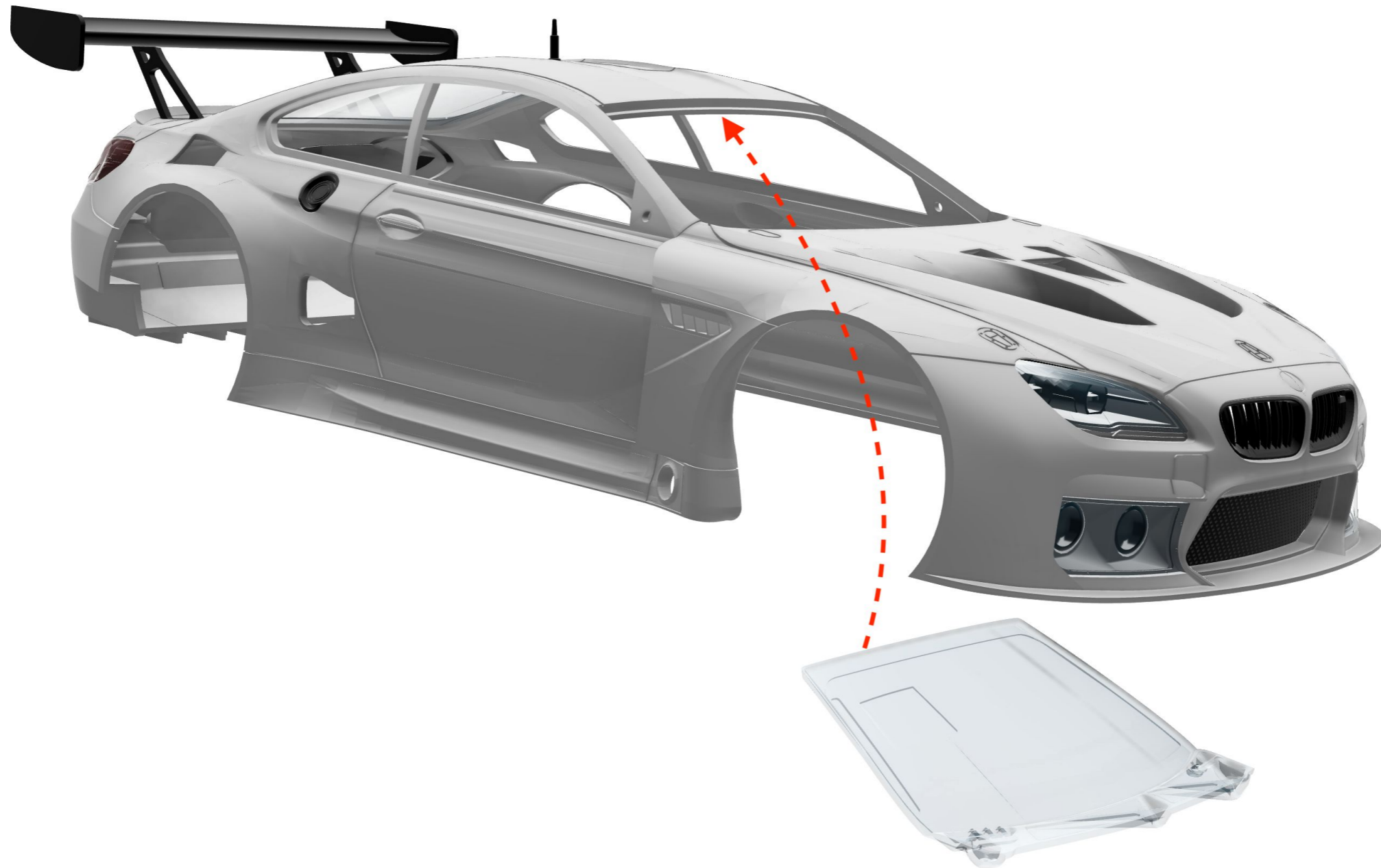
BODY ASSEMBLY





BMW M6 GT3 1/24

BODY ASSEMBLY



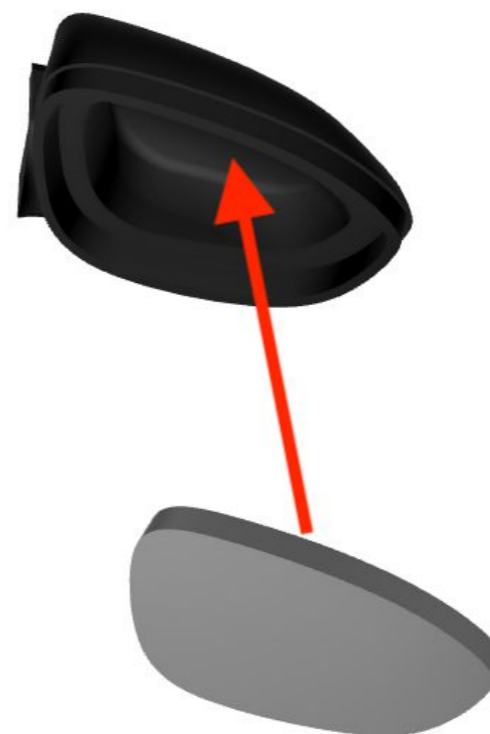
BODY ASSEMBLY





BMW M6 GT3 1/24

BODY ASSEMBLY





BMW M6 GT3 1/24

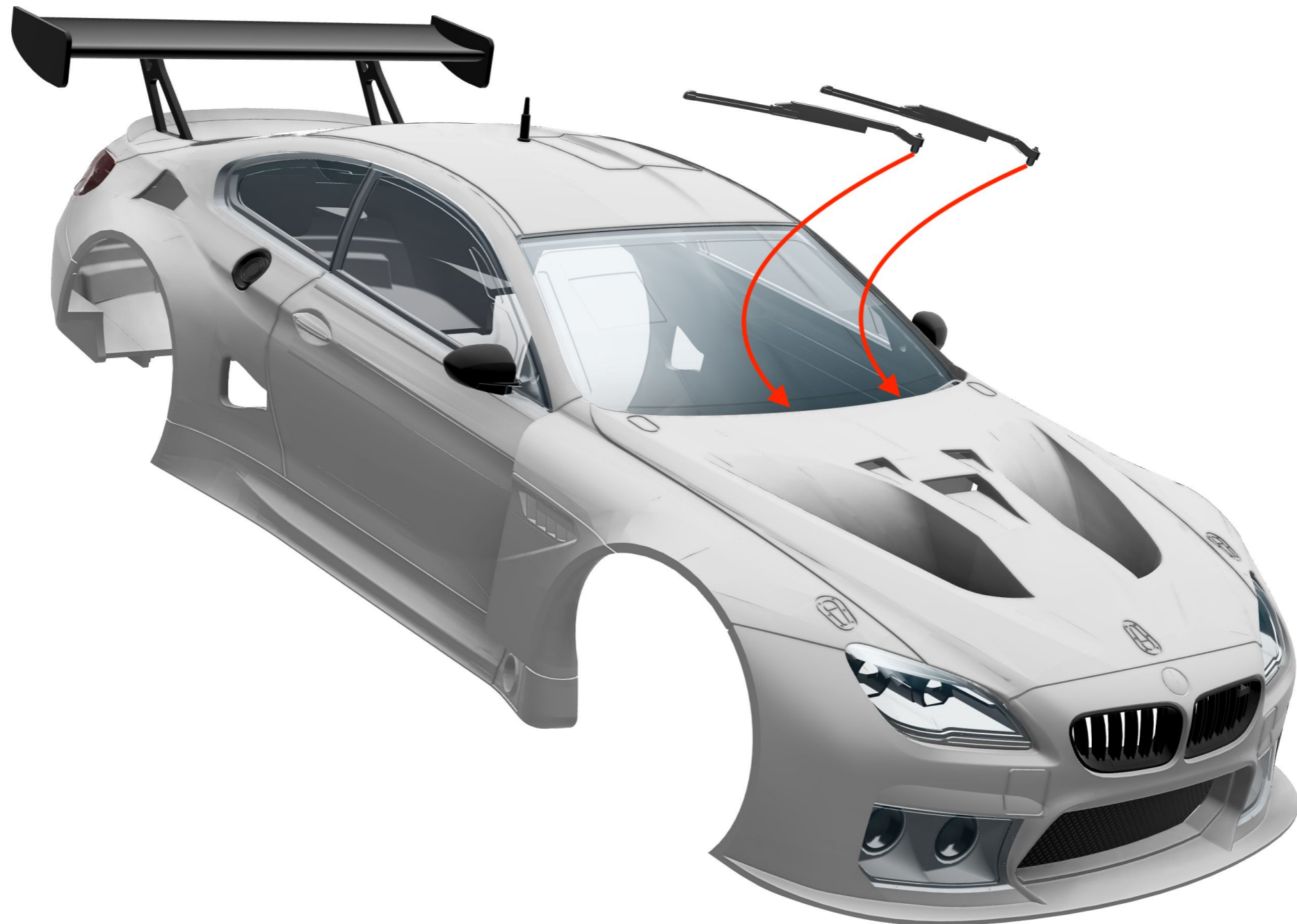
BODY ASSEMBLY





BMW M6 GT3 1/24

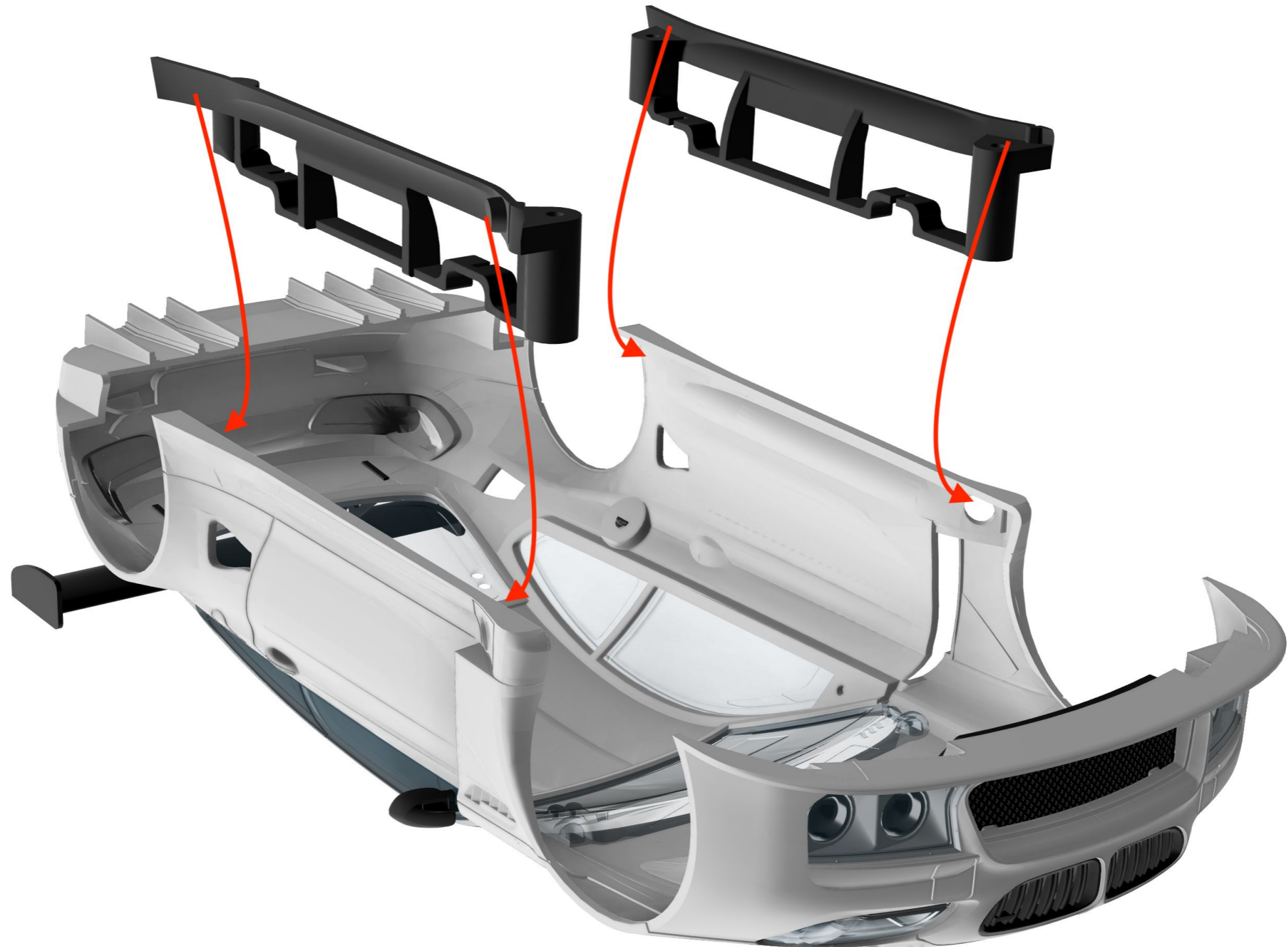
BODY ASSEMBLY





BMW M6 GT3 1/24

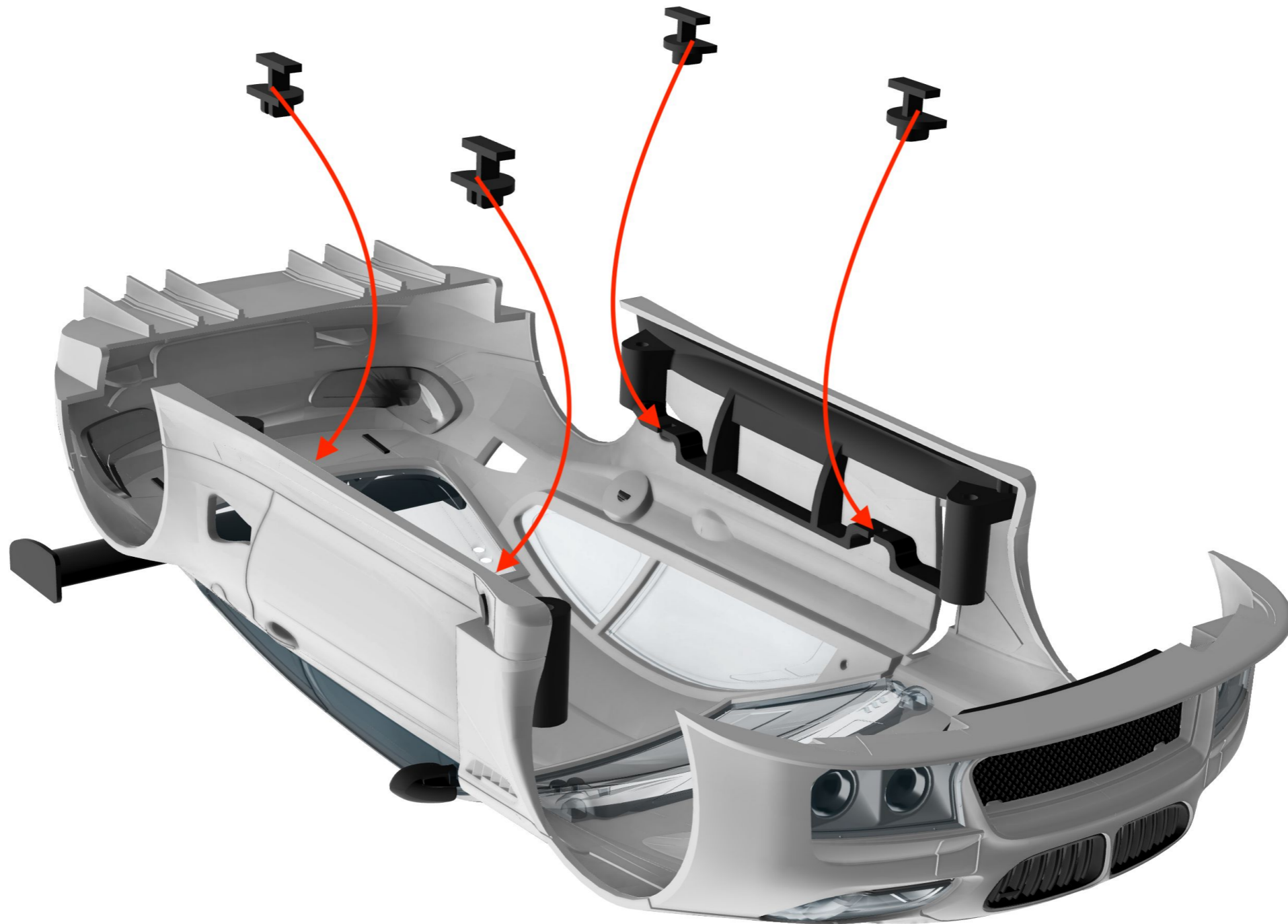
BODY ASSEMBLY





BMW M6 GT3 1/24

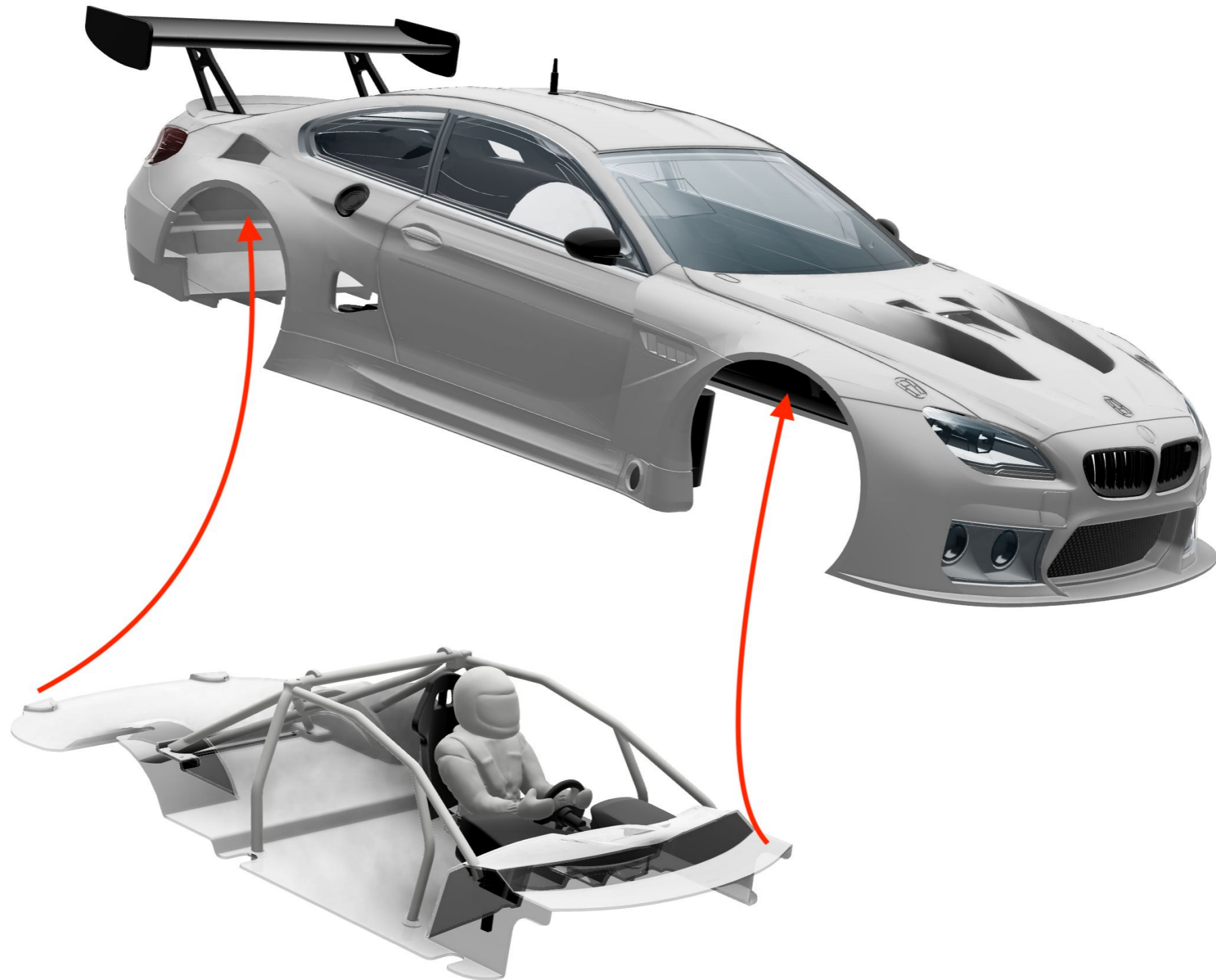
BODY ASSEMBLY





BMW M6 GT3 1/24

BODY ASSEMBLY





BMW M6 GT3 1/24

BODY ASSEMBLY





BMW M6 GT3 1/24

FINAL RESULT

